

**PRODUCT FEATURES**

**CONSTRUCTION**

- 12MM BIRCH VENEER PLYWOOD WITH HPL EXTERIOR FACE AND PVC INTERIOR FACE
- ARMOR HARDWARE

**INSTALLED EQUIPMENT (INCLUDED)**

- 1X POWERBOARD

**INSTALLED DEVICES (NOT INCLUDED)**

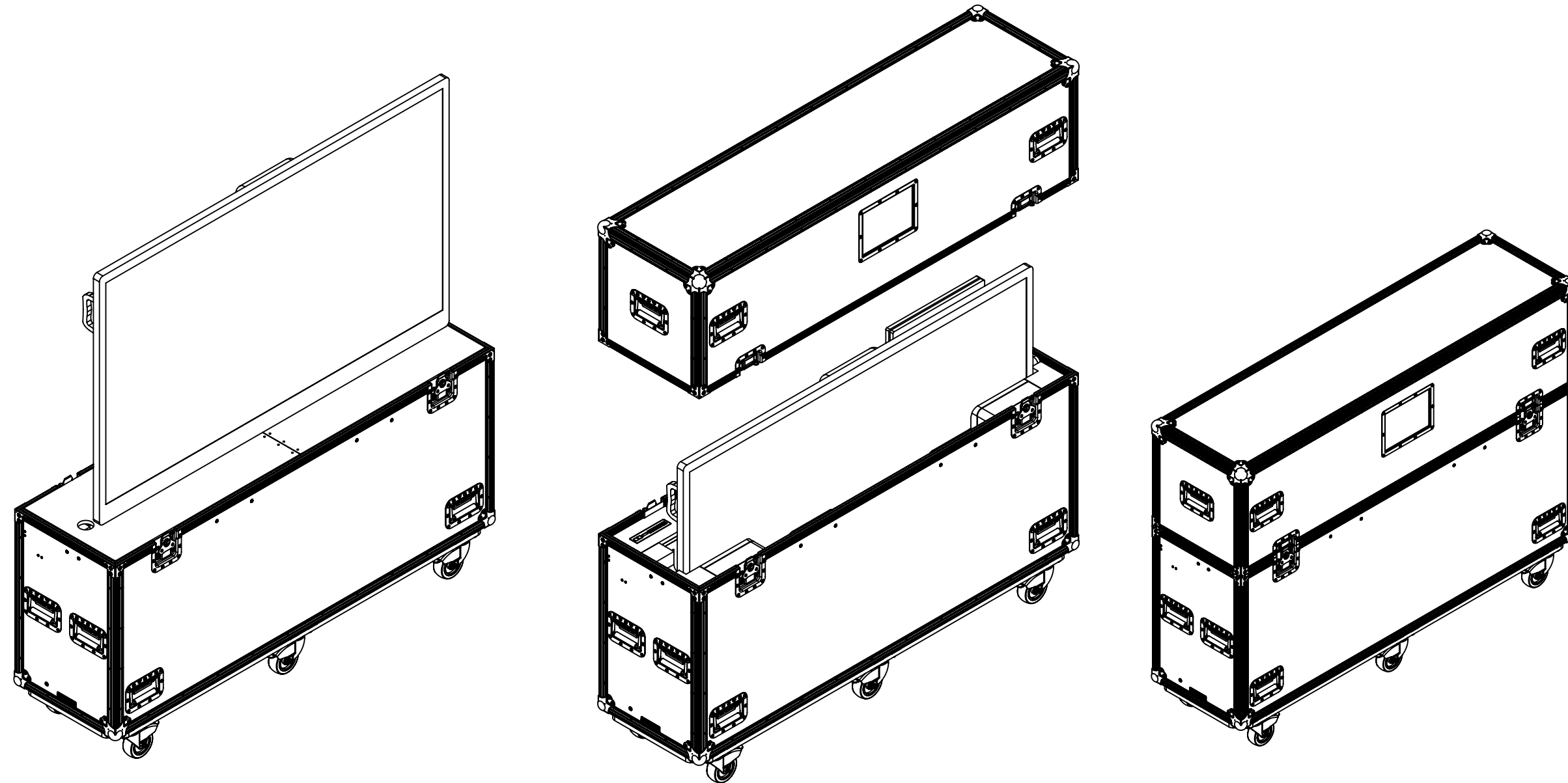
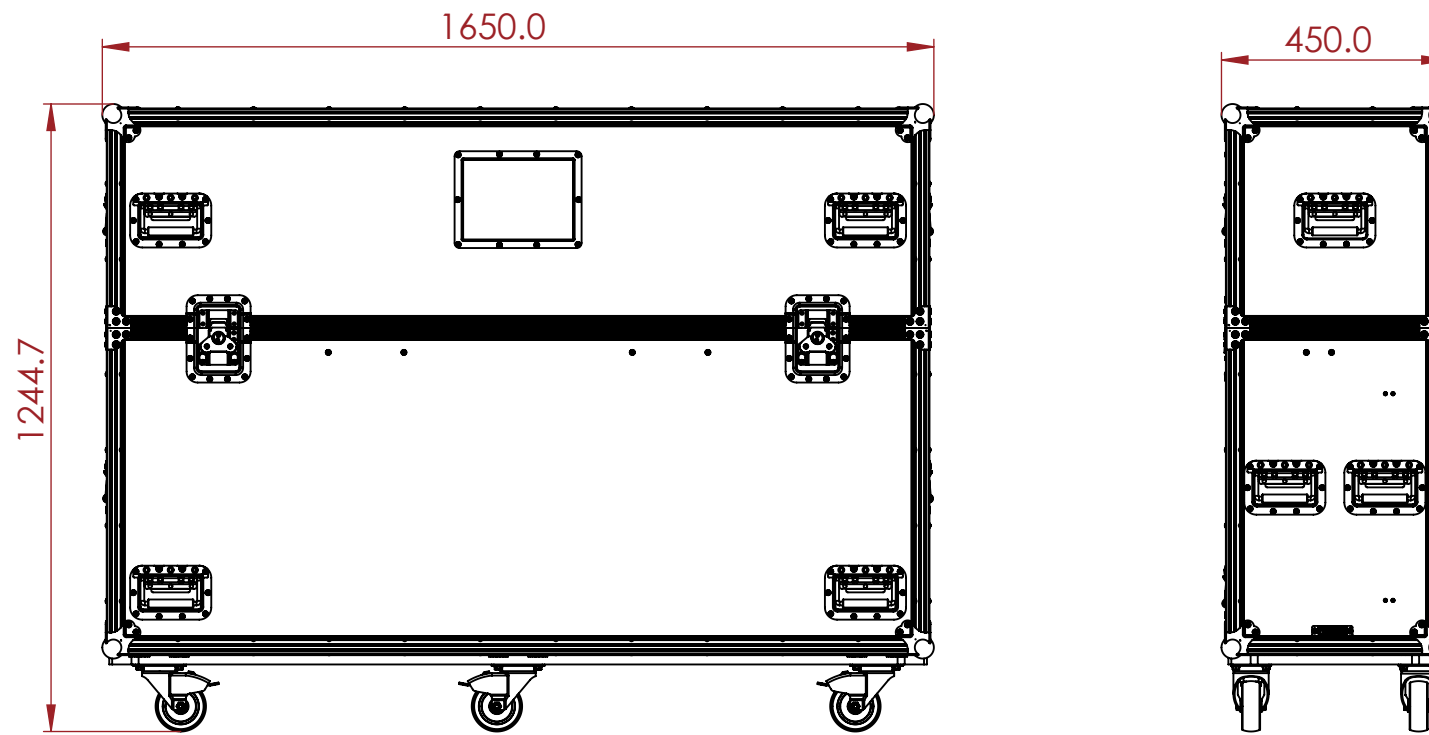
- 1X SMART Board MX V4 DERIES 65"

**FEATURES**

- BUILT IN MOTORIZED DOUBLE POST LIFT
- FOLDABLE TOP COVER
- LIFT OFF LID
- HATCH DOOR LOCATED AT THE BACK

**KEY MEASUREMENTS**

- MAXIMUM HEIGHT WHEN LIFTED 2056.1MM



NOTES:  
UNLESS SPECIFIED IN THE DRAWING,  
ALL PRODUCTS DISPLAYED IN THIS  
DRAWING OTHER THAN THE CASE  
ITSELF IS NOT PART OF OUR PRODUCT  
OFFERING.

ESTIMATED WEIGHT (CASE ONLY):  
133.57 KG

ITEM CODE:  
TVL-SMTB-MXV465

DRAWN BY: HA                      CHECKED BY: AS

SCALE:  
NTS



MAIL : [sales@armorcases.com.au](mailto:sales@armorcases.com.au)  
WEB : [www.armorcases.com.au](http://www.armorcases.com.au)