

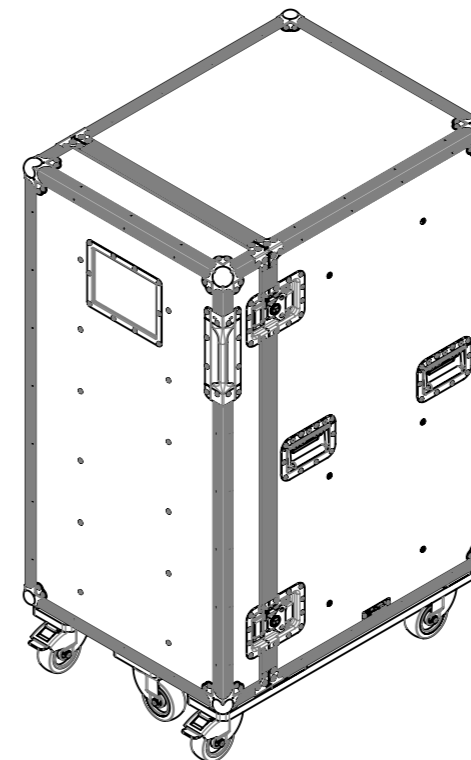
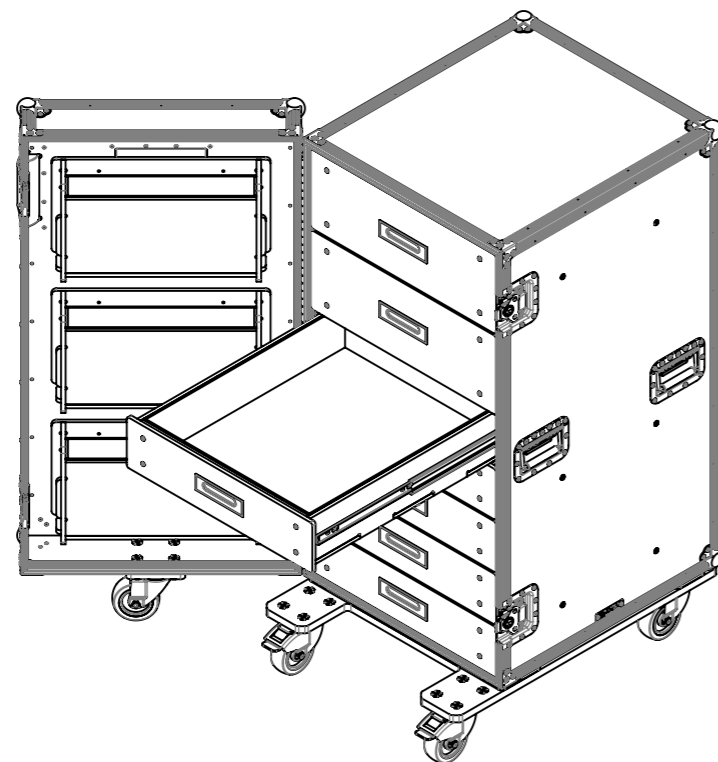
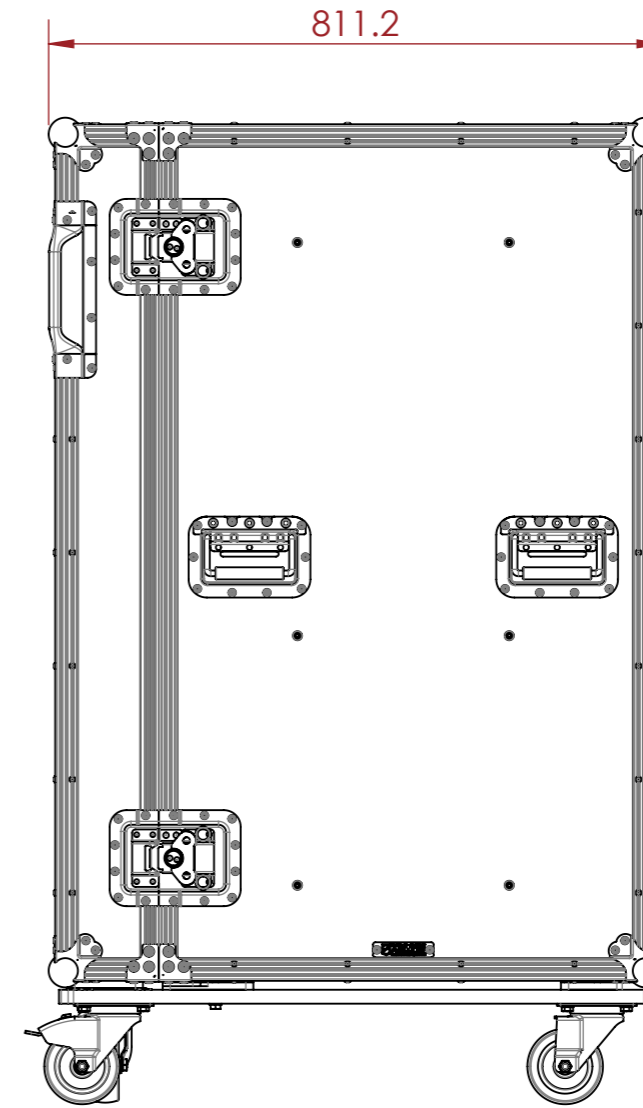
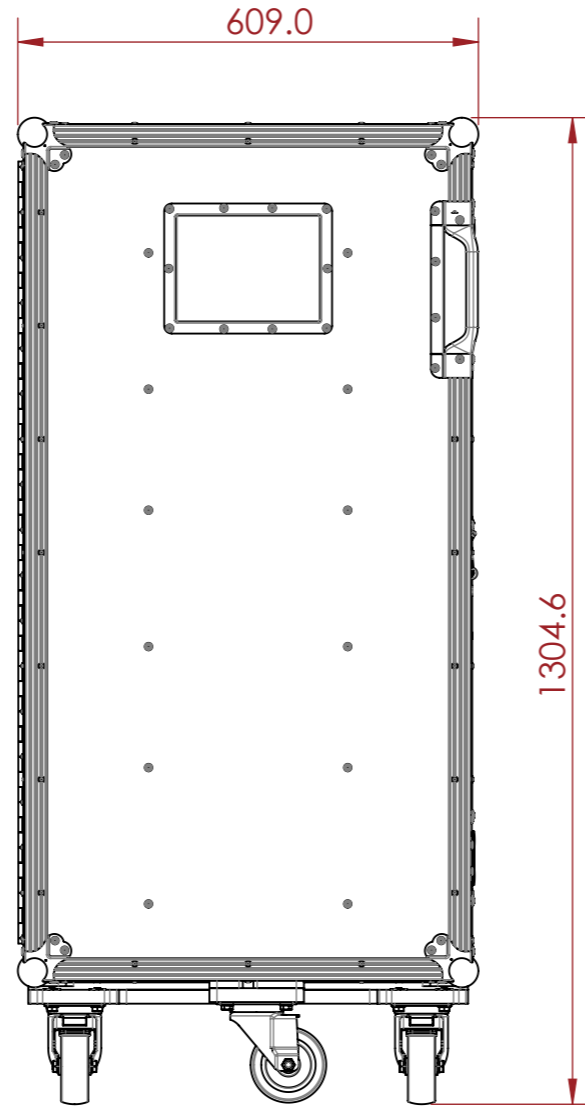
PRODUCT FEATURES

CONSTRUCTION

- 9MM BIRCH VENEER PLYWOOD WITH HPL EXTERIOR FACE AND PVC INTERIOR FACE
- ARMOR HARDWARE

FEATURES

- 7X DRAWERS TO STORING ACCESSORIES
- 1X CORNER HANDLE
- 4X RECESSED HANDLES
- 2X BRAKED CASTORS
- 3X NON BRAKED CASTORS
- LABEL DISH FOR EASE OF RECOGNITION
- 2X LATCHES



NOTES:

UNLESS SPECIFIED IN THE DRAWING, ALL PRODUCTS DISPLAYED IN THIS DRAWING OTHER THAN THE CASE ITSELF IS NOT PART OF OUR PRODUCT OFFERING.

ESTIMATED WEIGHT (CASE ONLY):

112.4 KG

ITEM CODE:

UTL-DR7

DRAWN BY:

K.I

CHECKED BY:

AS

SCALE:

NTS



MAIL : sales@armorcases.com.au
 WEB : www.armorcases.com.au