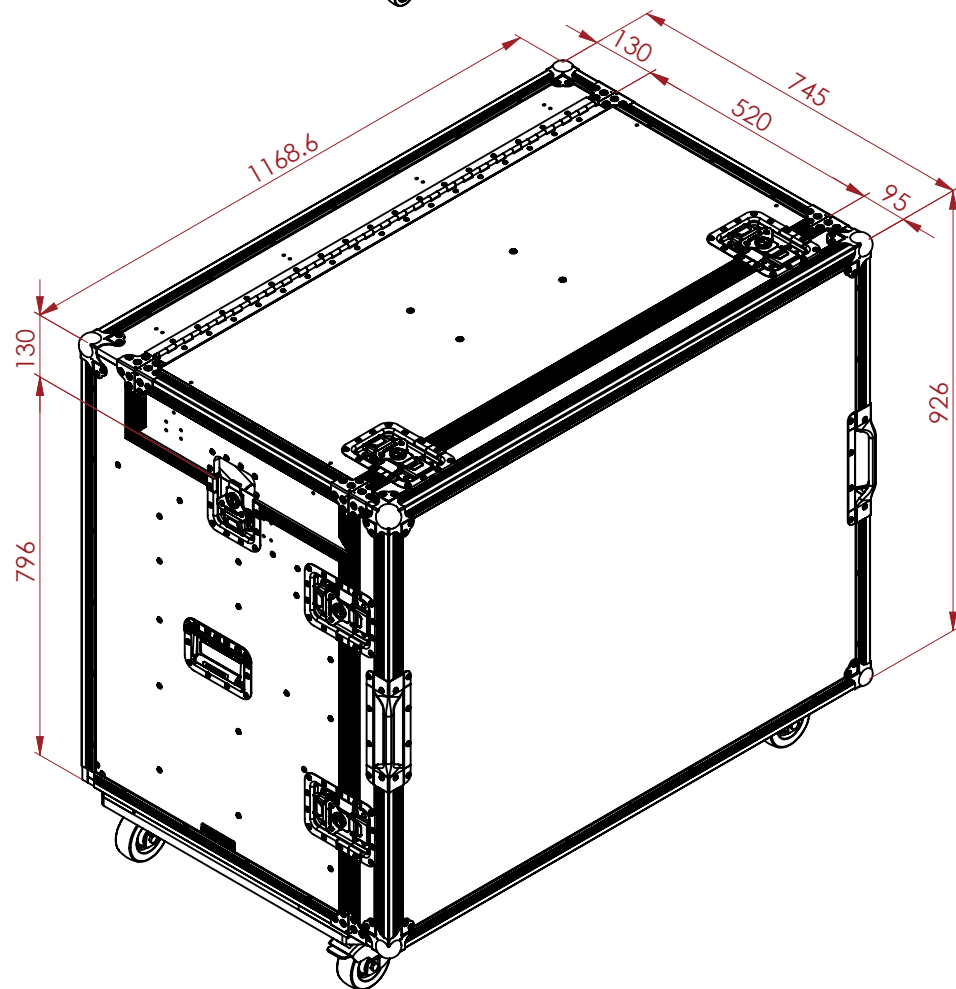


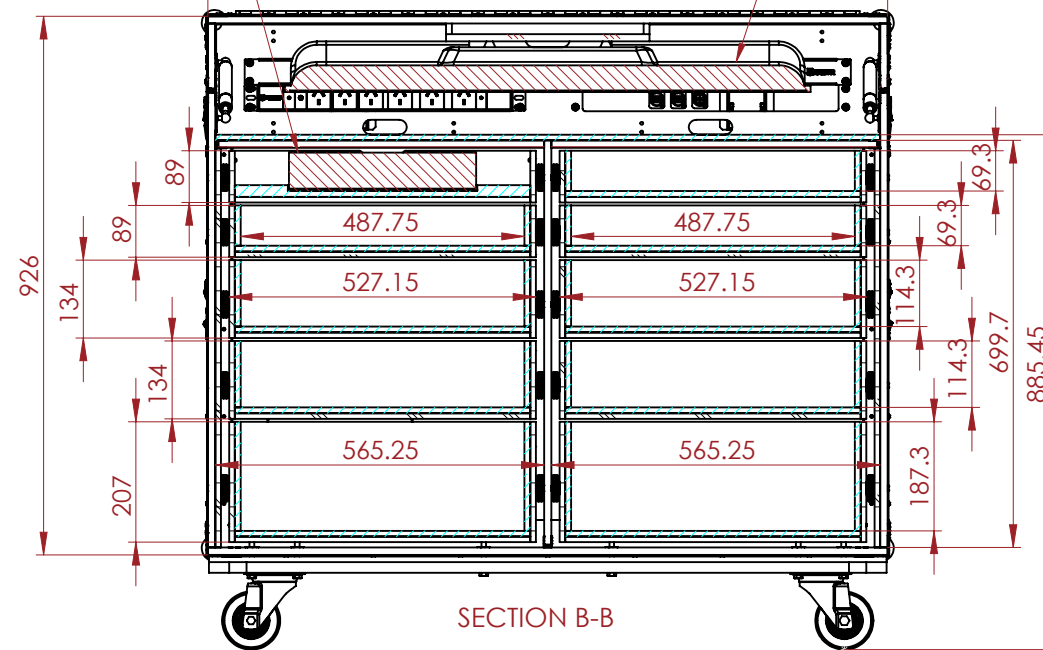
EVA FOAM
VELCRO STRIPS

GAS STRUT(GS-360-135-10C)
EXTENDED LENGTH : 360mm
STROKE LENGTH : 135mm
ENDPLATE : TYPE C
CAPACITY : 10kg

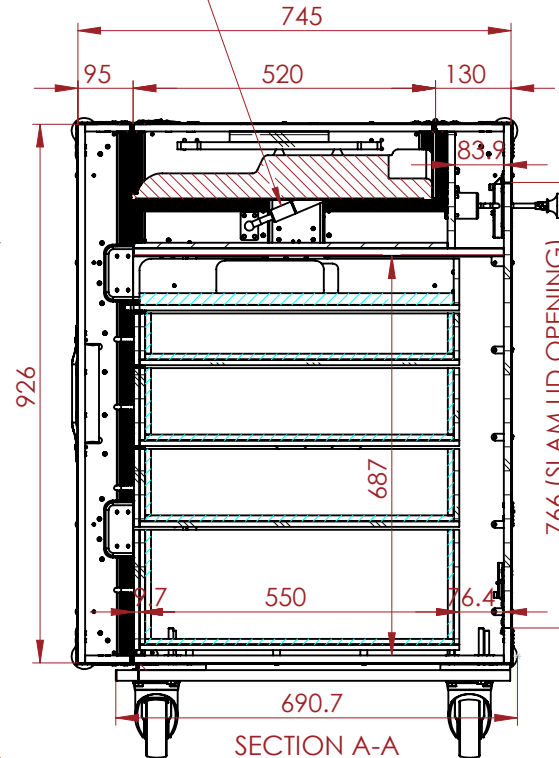


SECTION C-C

KOGAN-40 FHD TV (SERIES 7 GF7500)
Canon Pixma Mobile Printer TR150
1168.6



SECTION B-B



SECTION A-A

NOTES:
UNLESS SPECIFIED IN THE DRAWING,
ALL PRODUCTS DISPLAYED IN THIS
DRAWING OTHER THAN THE CASE
ITSELF IS NOT PART OF OUR PRODUCT
OFFERING.

ESTIMATED WEIGHT (CASE ONLY):

155.02 KG

ITEM CODE:

WS-VR-D1

DRAWN BY:

RP

CHECKED BY:

AS

SCALE:

NTS



MAIL : sales@armorcases.com.au
WEB : www.armorcases.com.au