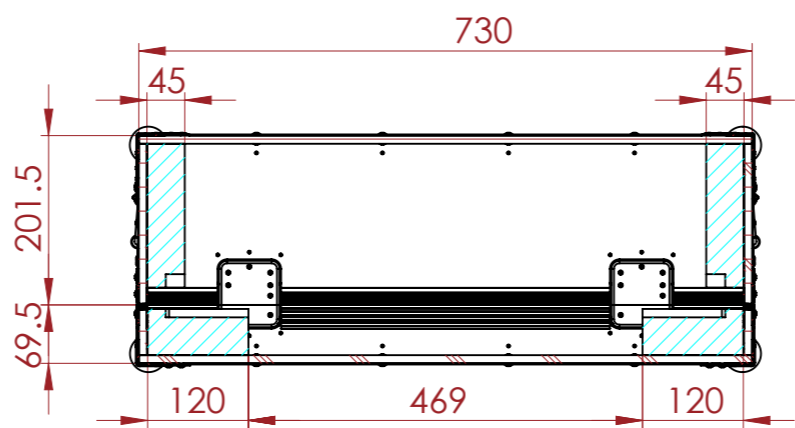
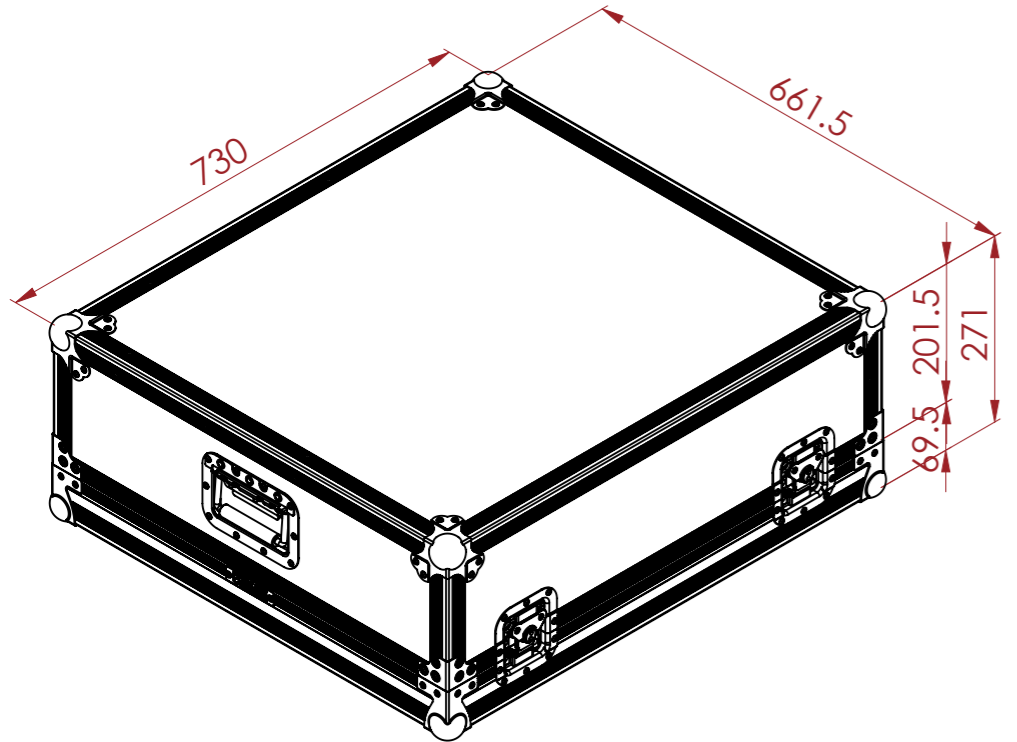
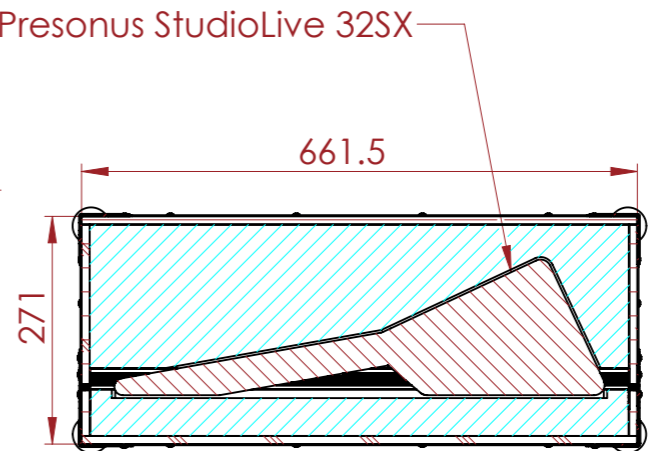


 EVA FOAM



SECTION B-B



SECTION A-A

NOTES:

REV	DESCRIPTION	DATE
0	ORIGINAL ISSUE	17/11/2022

ESTIMATED WEIGHT:

16.1kg

QUANTITY:

1

ITEM CODE:

MIXR-PRES-SL-32SX

DRAWN BY:

RP

CHECKED BY:

AS

SCALE:

NTS



ADD : 45/7-9 Percy St, Auburn,
NSW 2144, Australia
PH : 02 9188 6801
MAIL : sales@armorcases.com.au
WEB : www.armorcases.com.au