

NOTES:
UNLESS SPECIFIED IN THE DRAWING,
ALL PRODUCTS DISPLAYED IN THIS
DRAWING OTHER THAN THE CASE
ITSELF IS NOT PART OF OUR PRODUCT
OFFERING.

PRODUCT FEATURES

CONSTRUCTION

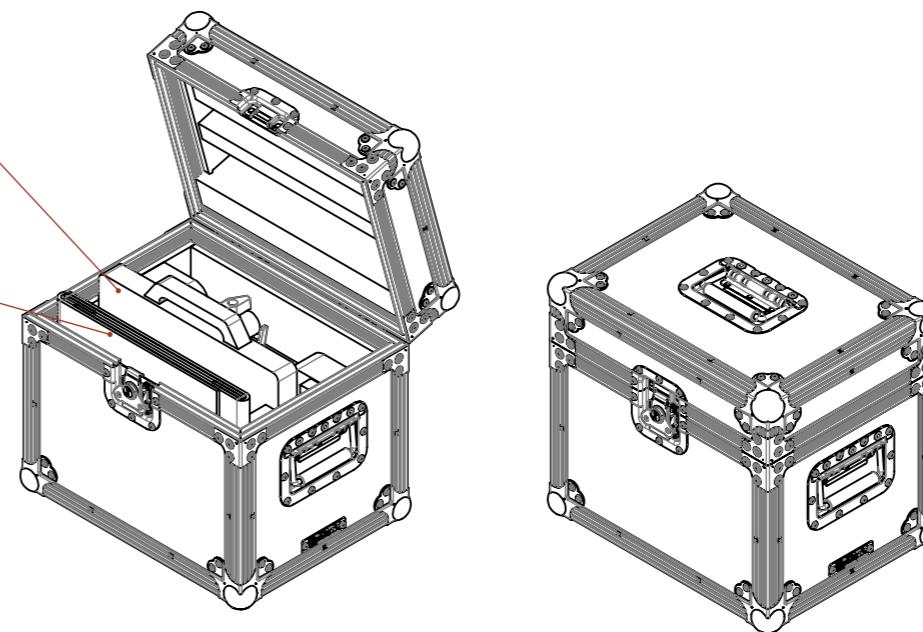
- 12MM BIRCH VENEER PLYWOOD WITH HPL EXTERIOR FACE AND PVC INTERIOR FACE
- 3X ERGONOMICALLY PLACED HANDLES FOR LIFTING AND TRANSPORTING
- MEDIUM LATCH
- EVA38B FOAM PROTECTION

FEATURES

- DEDICATED SPACE FOR SMALLHD CINE13 MONITOR
- DEDICATED SPACE FOR SUN COVER
- GENERAL SPACE FOR ACCESSORIES

SMALLHD CINE 13 MONITOR

SUN COVER MAIN



ESTIMATED WEIGHT (CASE ONLY):

10.9 KG

ITEM CODE:

DISP-SMALLHD-CINE13

DRAWN BY:

H.A

CHECKED BY:

AS

SCALE:

NTS



MAIL : sales@armorcases.com.au
WEB : www.armorcases.com.au