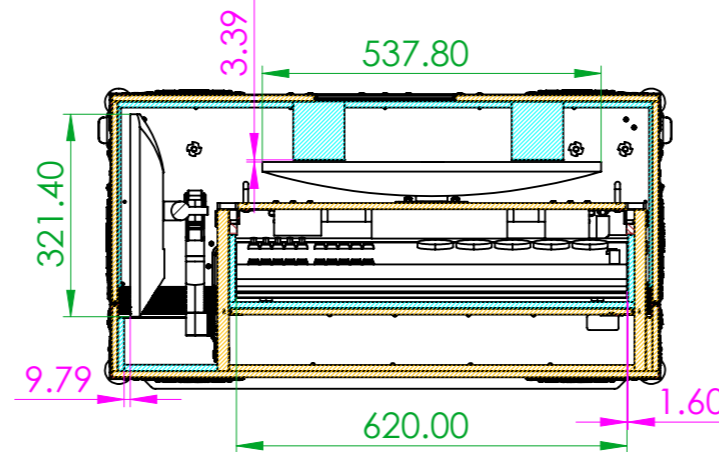


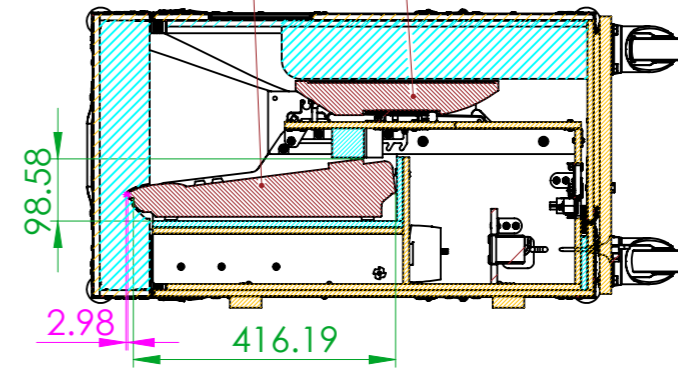
 EVA FOAM

SECTION C-C

24 Inch- (DELL P2418)
grandMA3 on PC Command Wing



SECTION B-B



SECTION A-A

NOTES:
UNLESS SPECIFIED IN THE DRAWING,
ALL PRODUCTS DISPLAYED IN THIS
DRAWING OTHER THAN THE CASE
ITSELF IS NOT PART OF OUR PRODUCT
OFFERING.

ESTIMATED WEIGHT (CASE ONLY):
63.40 KG

ITEM CODE:
LXCTRL-MA3CW-M2

DRAWN BY: K.I. CHECKED BY: AS

SCALE:
NTS



MAIL : sales@armorcases.com.au
WEB : www.armorcases.com.au