

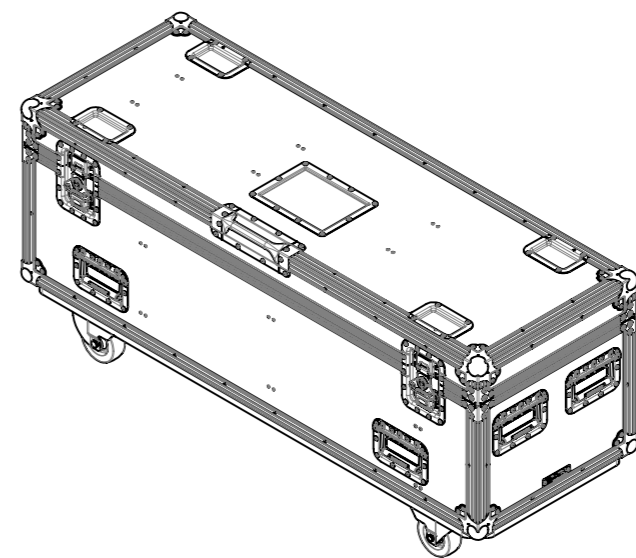
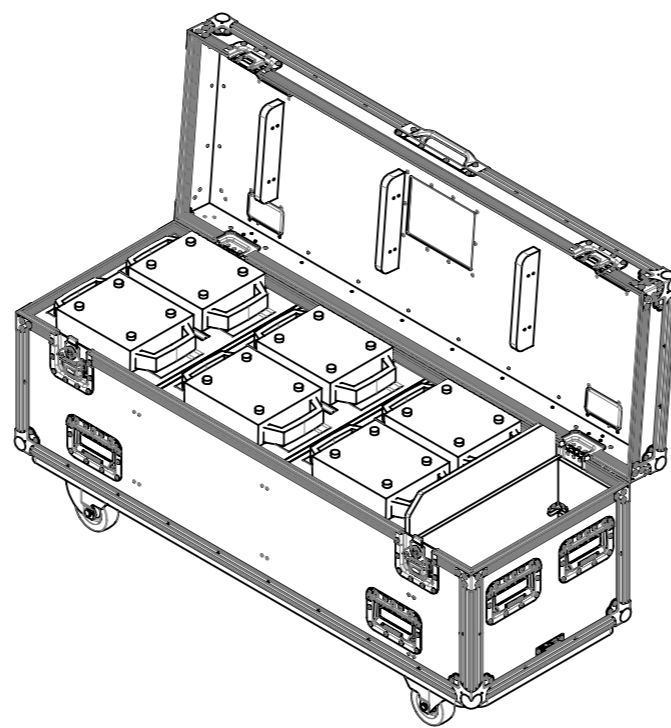
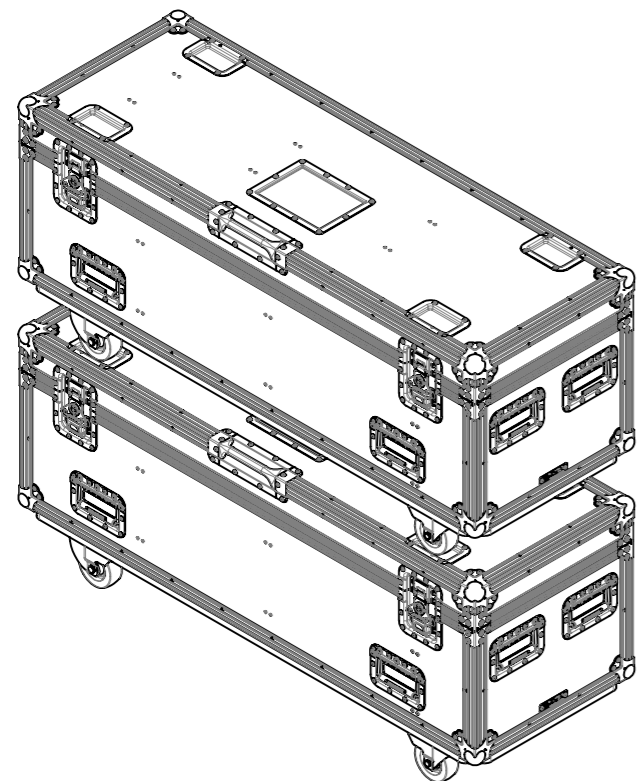
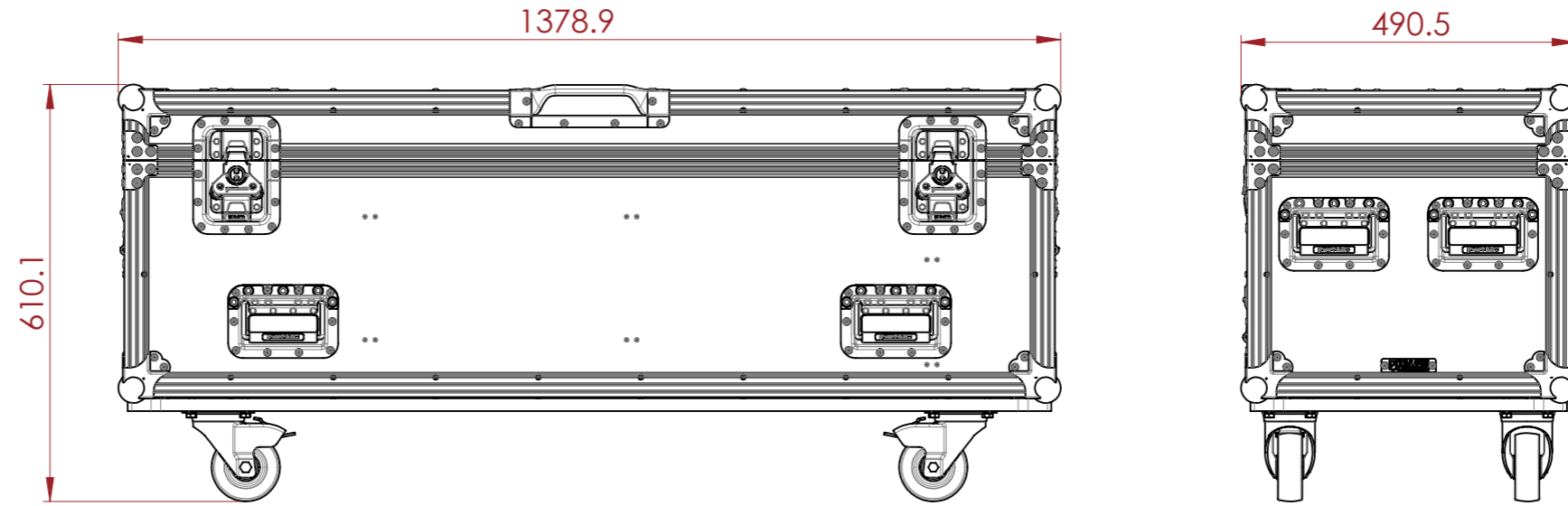
PRODUCT FEATURES

CONSTRUCTION

- 9MM BIRCH VENEER PLYWOOD WITH HPL EXTERIOR FACE AND PVC INTERIOR FACE
- PENN ELCOM HARDWARE

FEATURES

- STORAGE SPACE FOR 6X CLAY PAKY MINI B LIGHTS
- CASTOR DISHES FOR EASE OF STACKING
- STORAGE FOR CLAMPS, BRACKETS AND ACCESSORIES
- LABEL DISH FOR EASE OF RECOGNITION



NOTES:
UNLESS SPECIFIED IN THE DRAWING,
ALL PRODUCTS DISPLAYED IN THIS
DRAWING OTHER THAN THE CASE
ITSELF IS NOT PART OF OUR PRODUCT
OFFERING.

ESTIMATED WEIGHT (CASE ONLY):

54.84 KG

ITEM CODE:

LXMH-CPKY-MINIB

DRAWN BY:

K.I

CHECKED BY:

AS

SCALE:

NTS



MAIL : sales@armorcases.com.au
WEB : www.armorcases.com.au