

NOTES:
UNLESS SPECIFIED IN THE DRAWING,
ALL PRODUCTS DISPLAYED IN THIS
DRAWING OTHER THAN THE CASE
ITSELF IS NOT PART OF OUR PRODUCT
OFFERING.

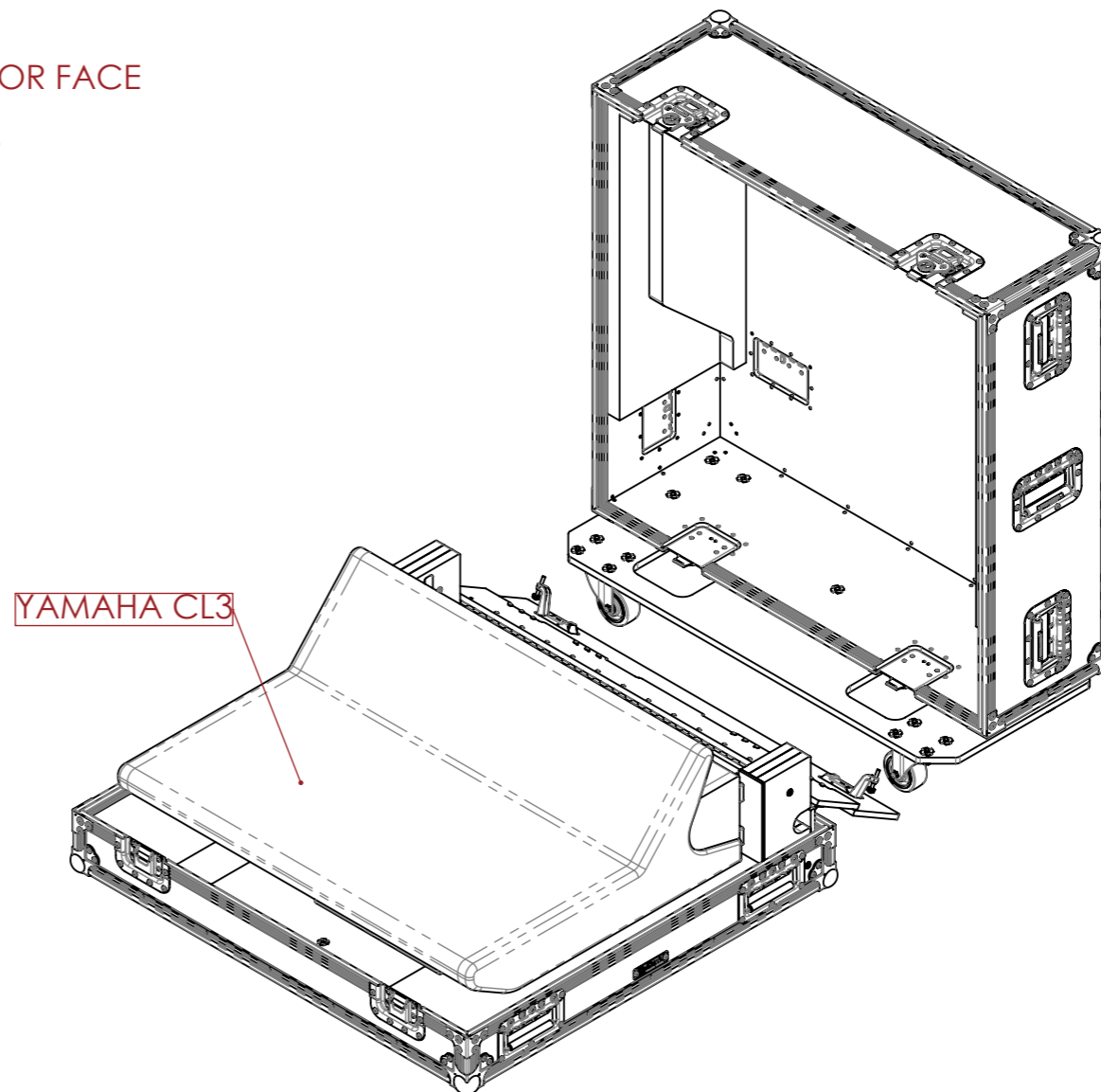
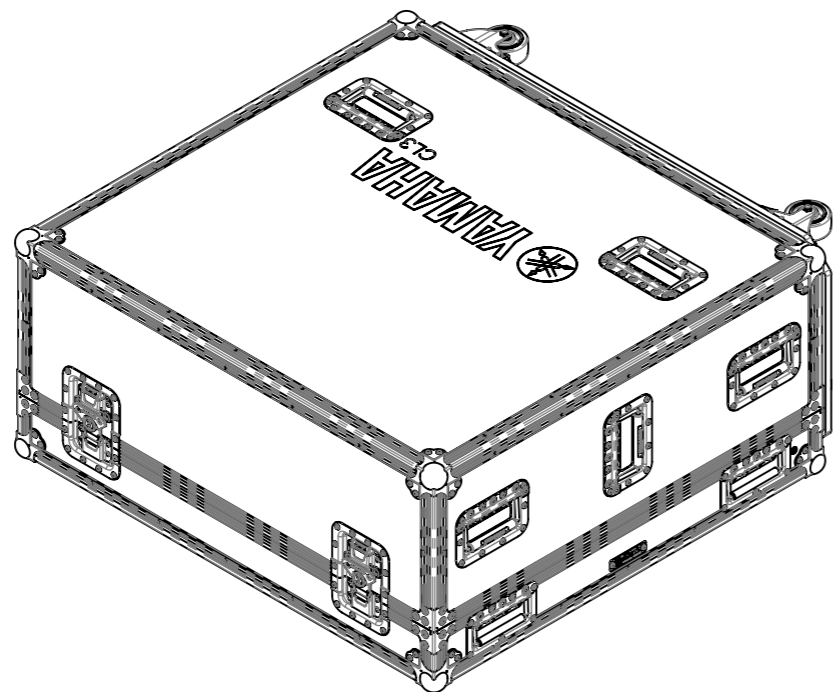
PRODUCT FEATURES

CONSTRUCTION

- 12MM BIRCH VENEER PLYWOOD WITH HPL EXTERIOR FACE AND PVC INTERIOR FACE
- PENN ELCOM HARDWARE.
- 14X ERGONOMICALLY PLACED HANDLES FOR LIFTING AND TRANSPORTING
- LARGE LATCHES
- EVA38B FOAM PROTECTION
- 4X 75MM HEAVY DUTY CASTOR WHEELS

FEATURES

- DEDICATED SPACE FOR YAMAHA CL3
- GENERAL STORAGE SPACE FOR ACCESSORIES
- MAKE AND MODEL ENGRAVING ON TOP
- COMPACT DESIGN



ESTIMATED WEIGHT (CASE ONLY):

50.9 KG

ITEM CODE:

MIXR-YMH-CL3

DRAWN BY:

HA

CHECKED BY:

AS

SCALE:

NTS



MAIL : sales@armorcases.com.au
WEB : www.armorcases.com.au