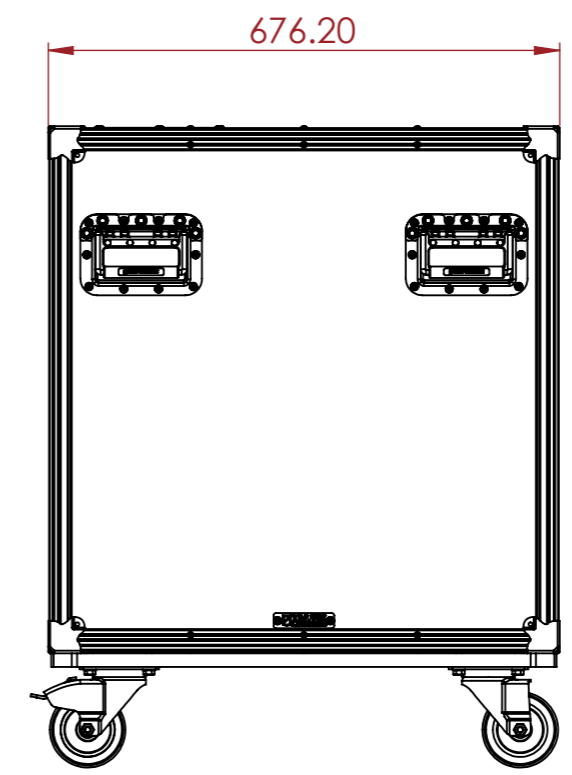
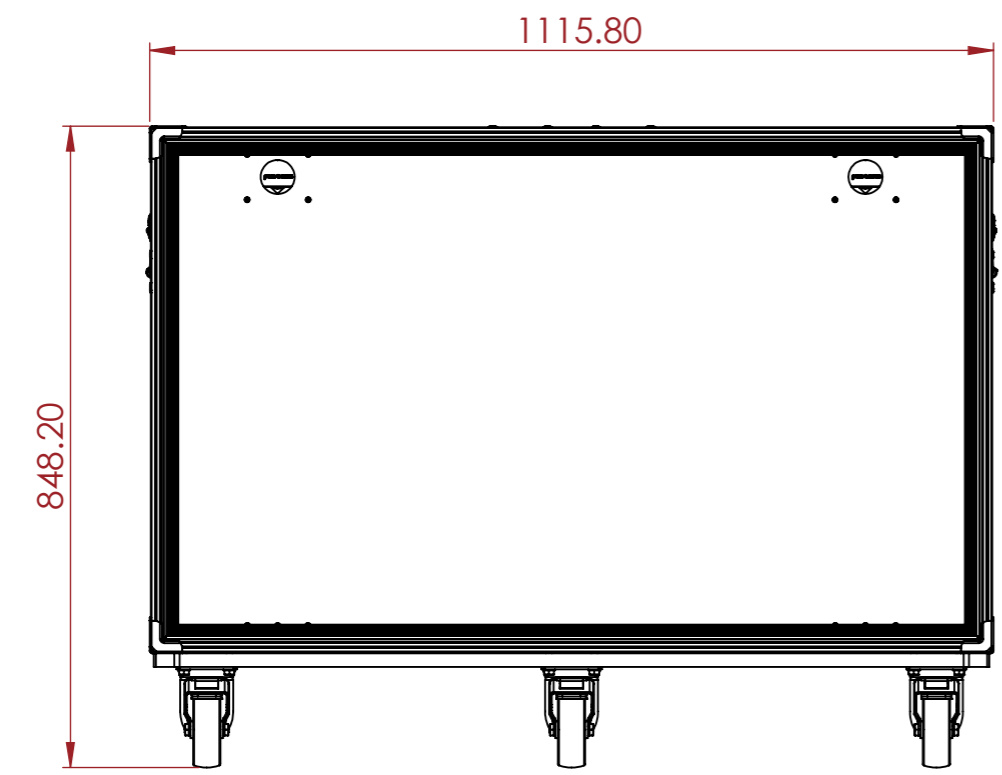
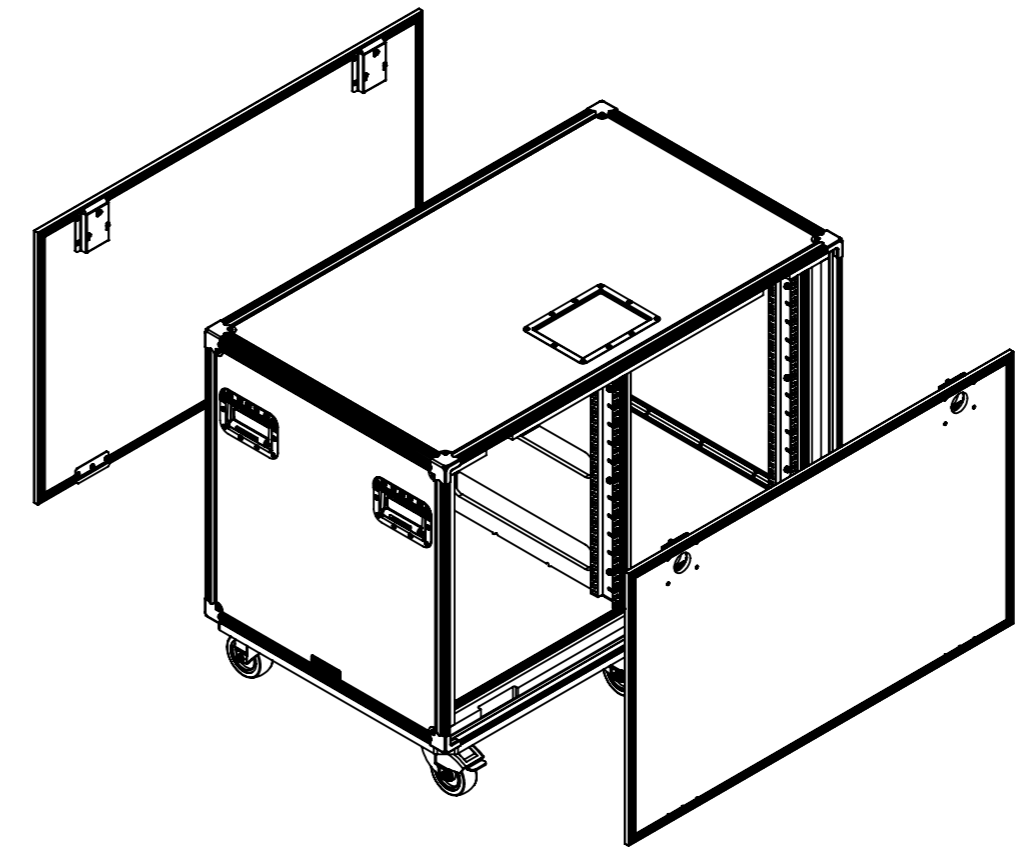
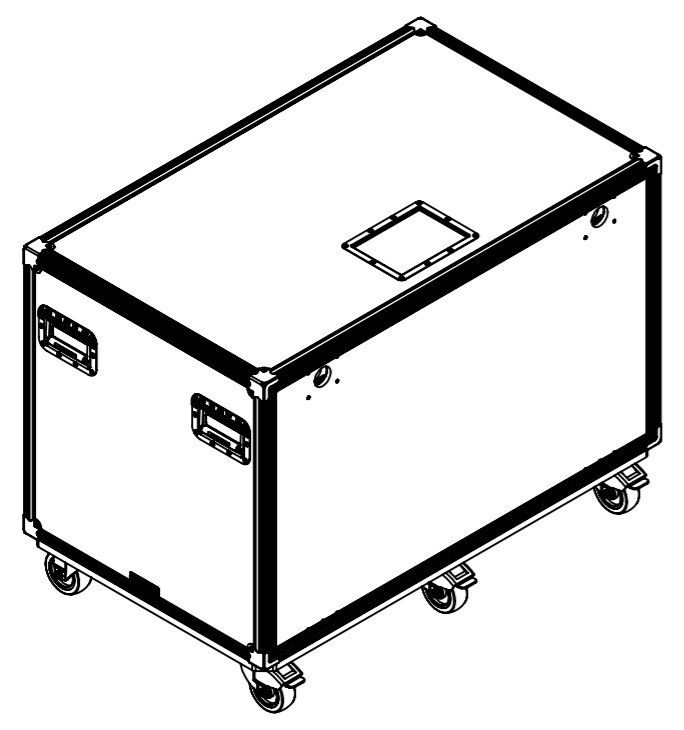


NOTES:
UNLESS SPECIFIED IN THE DRAWING,
ALL PRODUCTS DISPLAYED IN THIS
DRAWING OTHER THAN THE CASE
ITSELF IS NOT PART OF OUR PRODUCT
OFFERING.



ESTIMATED WEIGHT (CASE ONLY):
73.23 KG

ITEM CODE:
RKF-13D-550-SL

DRAWN BY: RP CHECKED BY: AS

SCALE:
1:10



MAIL : sales@armorcases.com.au
WEB : www.armorcases.com.au