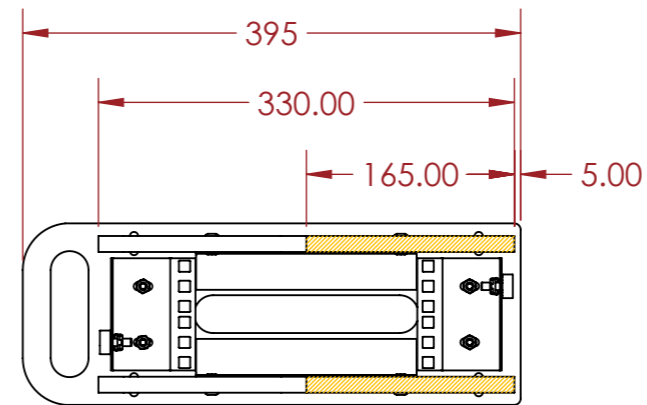
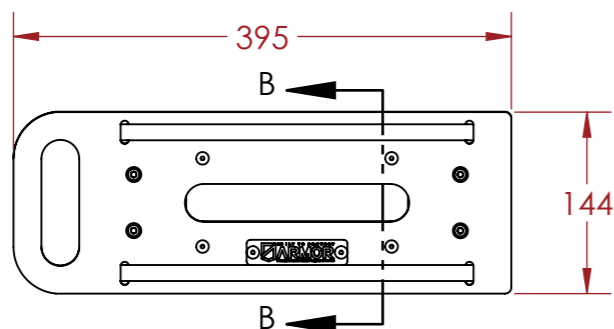


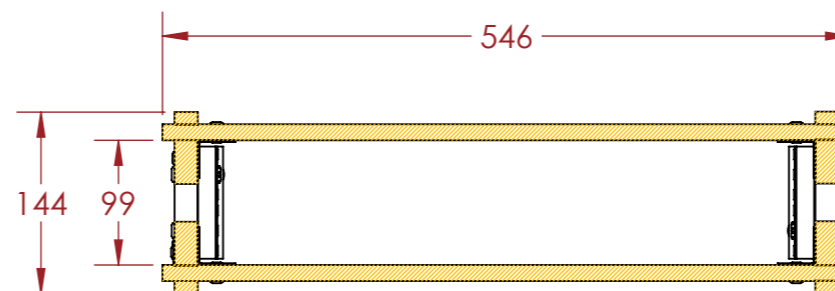
FRONT VIEW



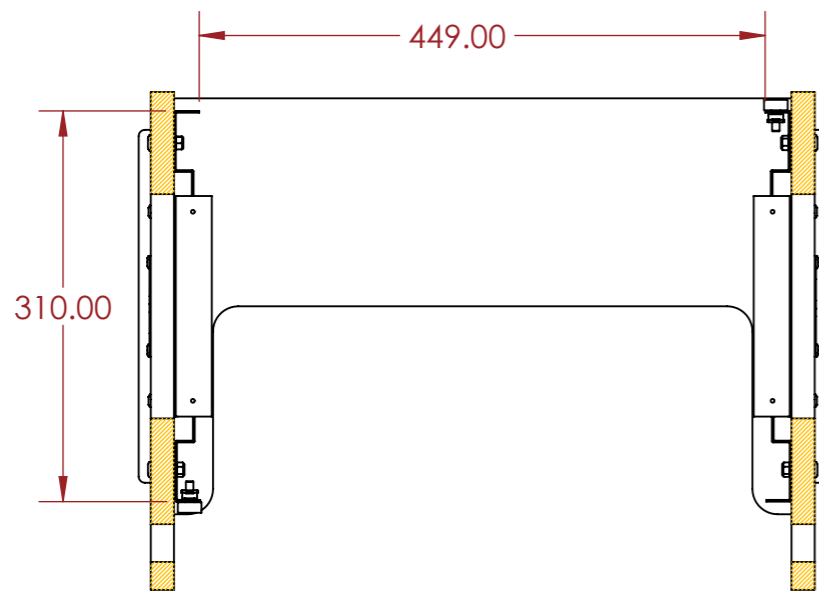
SIDE CUT VIEW



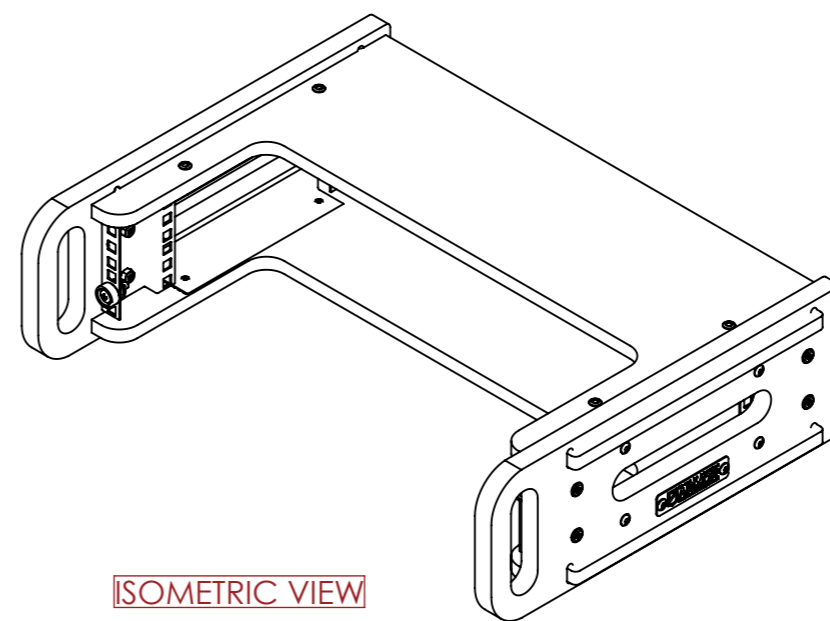
SIDE VIEW



FRONT CUT VIEW



TOP CUT VIEW



ISOMETRIC VIEW

NOTES:

REV	DESCRIPTION	DATE
0	ORIGINAL ISSUE	10/31/2022

ESTIMATED WEIGHT:

3.49 KG

QUANTITY:

1

ITEM CODE:

RKS-2U-330 OT

DRAWN BY:

HA

CHECKED BY:

AS

SCALE:

NTS



ADD : 45/7-9 Percy St, Auburn,
NSW 2144, Australia
PH : 02 9188 6801
MAIL : sales@armorcases.com.au
WEB : www.armorcases.com.au