

PRODUCT FEATURES

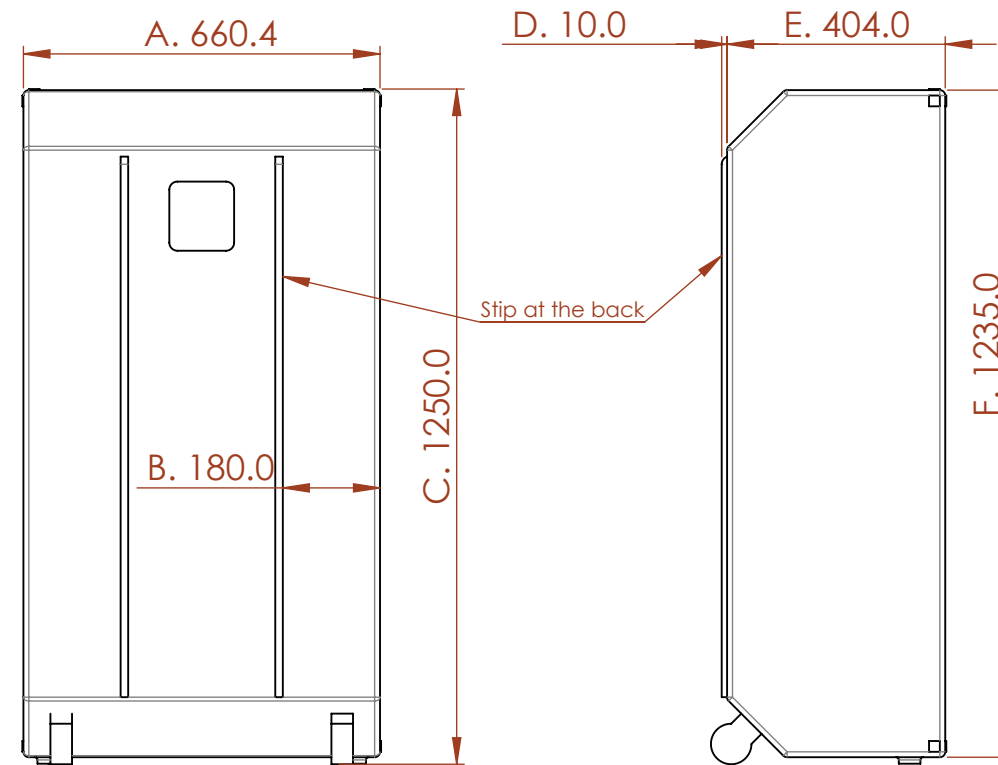
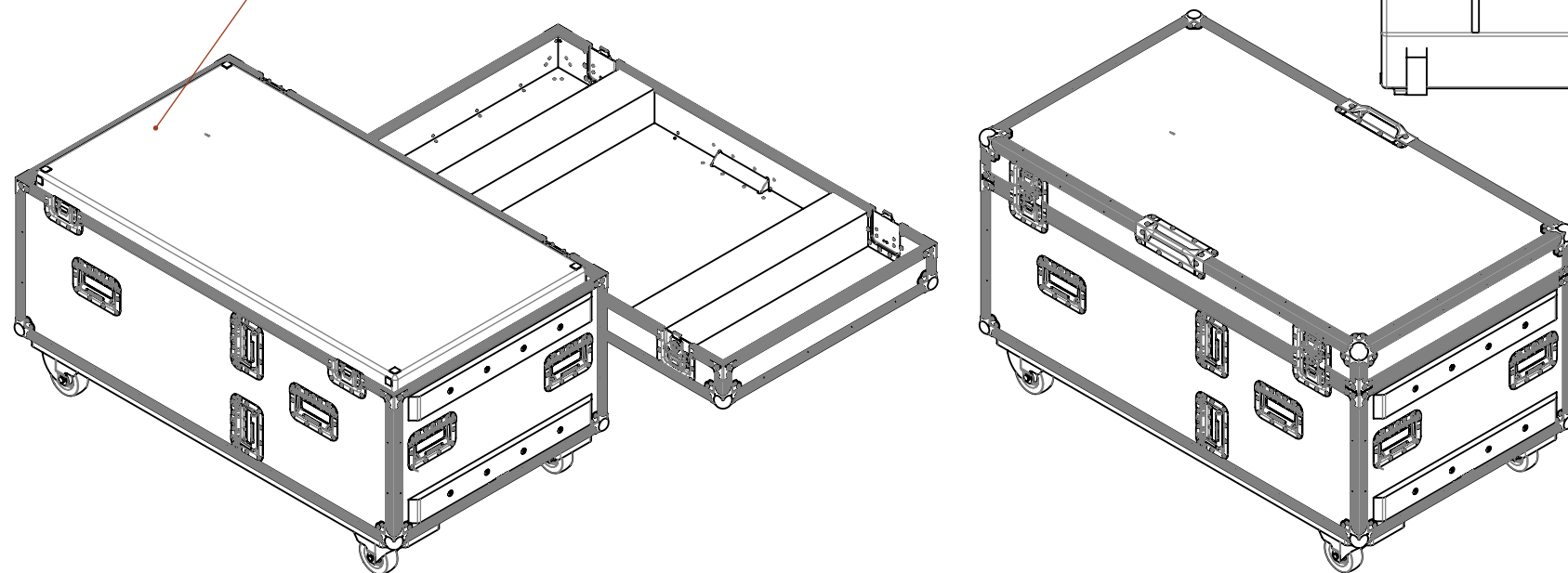
CONSTRUCTION

- 9MM BIRCH VENEER PLYWOOD WITH HPL EXTERIOR FACE AND PVC INTERIOR FACE
- PENN ELCOM HARDWARE
- EVA 38 FOAM PROTECTION
- LARGE LATCHES
- 12X ERGONOMICALLY PLACED HANDLES FOR LIFTING AND TRANSPORTING
- 2X CORNER HANDLES ON LID
- 4X CASTORS 2X BRAKED
- 18MM PAIR CASTOR BOARD

FEATURES

- DEDICATED SPACE FOR STORING 1X AMPEG SVT-810E BASS CABINET
- COMPACT DESIGN

Ampeg SVT-810E Bass Cabinet



NOTES:
UNLESS SPECIFIED IN THE DRAWING,
ALL PRODUCTS DISPLAYED IN THIS
DRAWING OTHER THAN THE CASE
ITSELF IS NOT PART OF OUR PRODUCT
OFFERING.

ESTIMATED WEIGHT (CASE ONLY):

52.92 KG

ITEM CODE:

AMP-APG-SVT810E

DRAWN BY:

HA

CHECKED BY:

AS

SCALE:

NTS



MAIL : sales@armorcases.com.au
WEB : www.armorcases.com.au