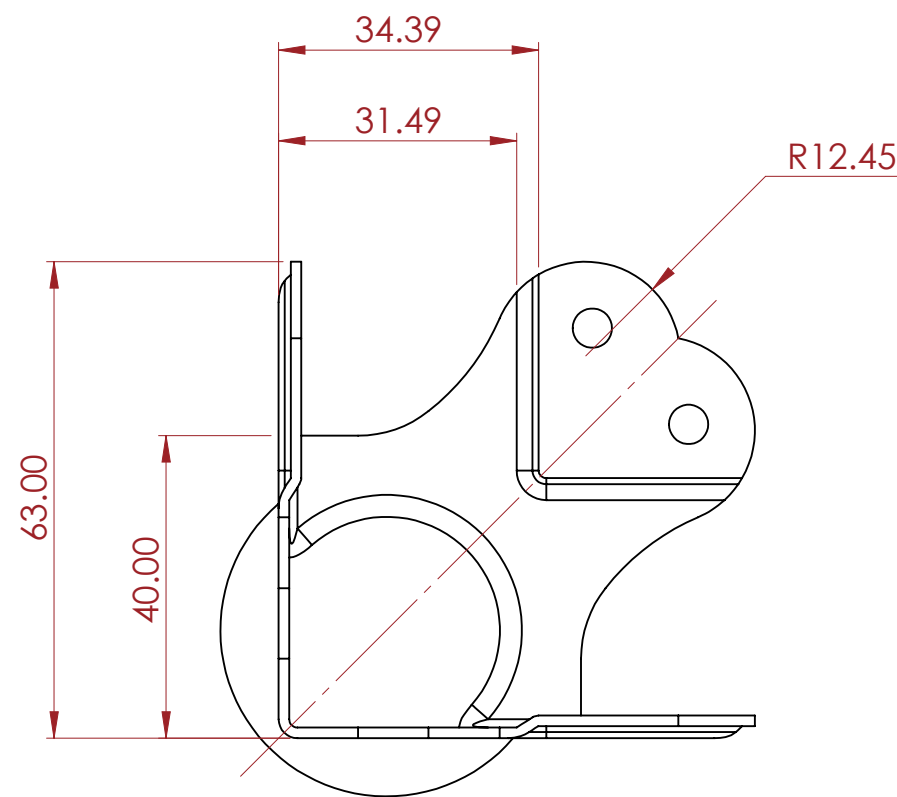
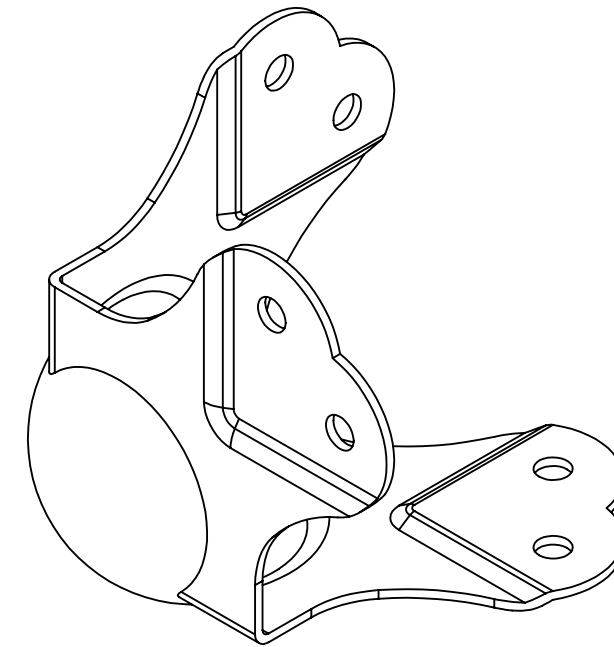


FRONT VIEW



SIDE VIEW



ISOMETRIC VIEW

NOTES:

| REV | DESCRIPTION    | DATE       |
|-----|----------------|------------|
| 0   | ORIGINAL ISSUE | 10/31/2022 |
|     |                |            |
|     |                |            |
|     |                |            |
|     |                |            |
|     |                |            |
|     |                |            |
|     |                |            |
|     |                |            |

HARDWARE WEIGHT  
0.1 KG

HARDWARE MATERIAL  
STEEL

ITEM CODE:  
CNR-C3102B

DRAWN BY: RP      CHECKED BY: AS

SCALE:  
NTS



ADD : 45/7-9 Percy St, Auburn,  
NSW 2144, Australia  
PH : 02 9188 6801  
MAIL : sales@armorcases.com.au  
WEB : www.armorcases.com.au