

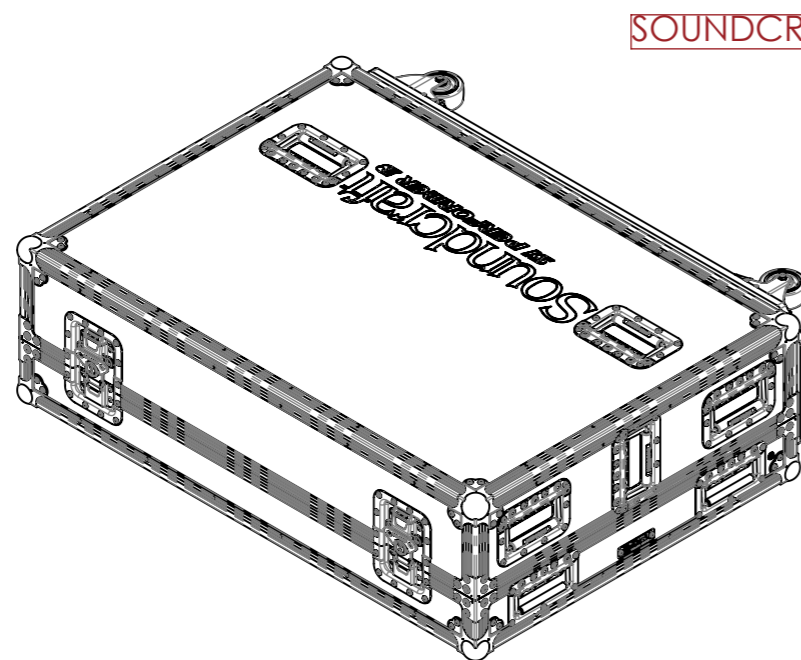
## PRODUCT FEATURES

### CONSTRUCTION

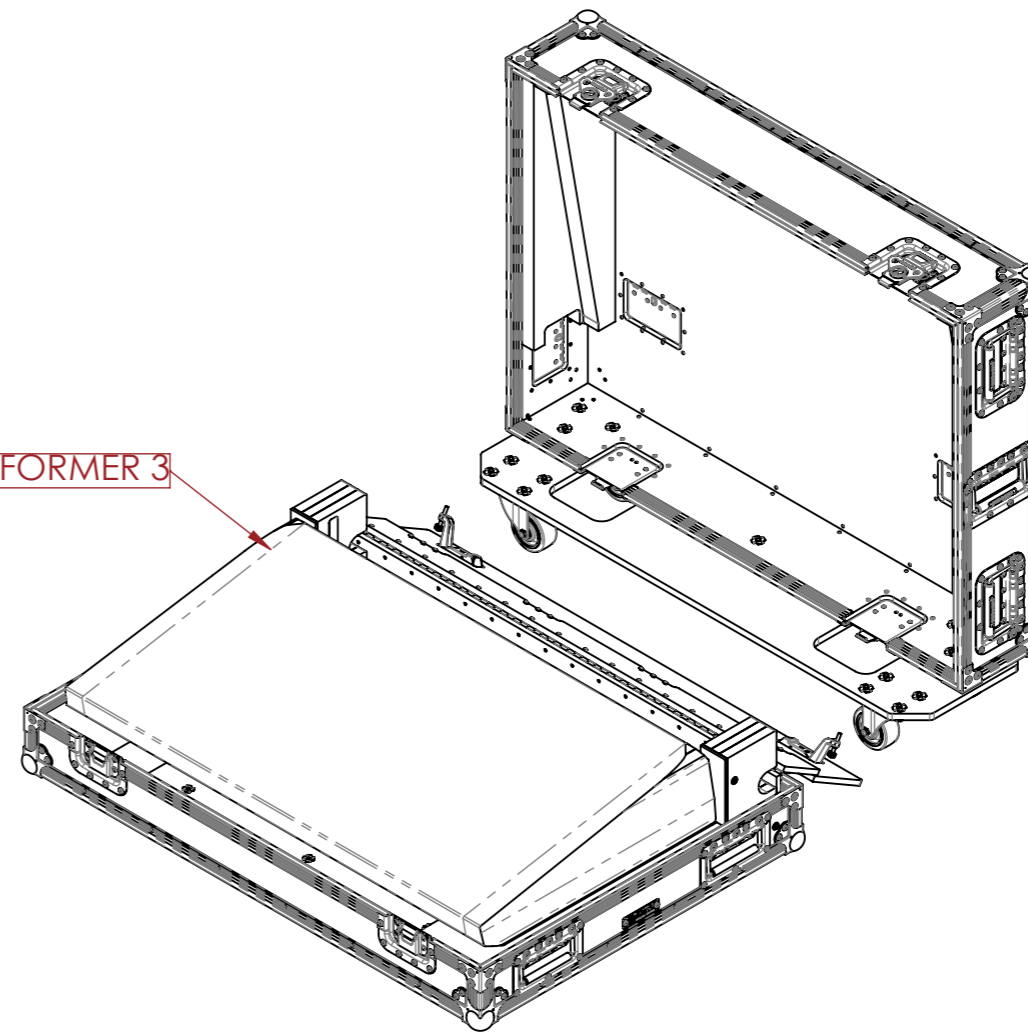
- 12MM BIRCH VENEER PLYWOOD WITH HPL EXTERIOR FACE AND PVC INTERIOR FACE
- PENN ELCOM HARDWARE.
- 14X ERGONOMICALLY PLACED HANDLES FOR LIFTING AND TRANSPORTING
- LARGE LATCHES
- EVA38B FOAM PROTECTION
- 4X 75MM HEAVY DUTY CASTOR WHEELS

### FEATURES

- DEDICATED SPACE FOR SOUND CRAFT SI PERFORMER 3
- GENERAL STORAGE SPACE FOR ACCESSORIES
- MAKE AND MODEL ENGRAVING ON TOP
- COMPACT DESIGN



SOUND CRAFT SI PERFORMER 3



NOTES:  
UNLESS SPECIFIED IN THE DRAWING,  
ALL PRODUCTS DISPLAYED IN THIS  
DRAWING OTHER THAN THE CASE  
ITSELF IS NOT PART OF OUR PRODUCT  
OFFERING.

ESTIMATED WEIGHT (CASE ONLY):

42.3 KG

ITEM CODE:

MIXR-SC-SIP3

DRAWN BY:

HA

CHECKED BY:

AS

SCALE:

NTS



MAIL : [sales@armorcases.com.au](mailto:sales@armorcases.com.au)  
WEB : [www.armorcases.com.au](http://www.armorcases.com.au)