

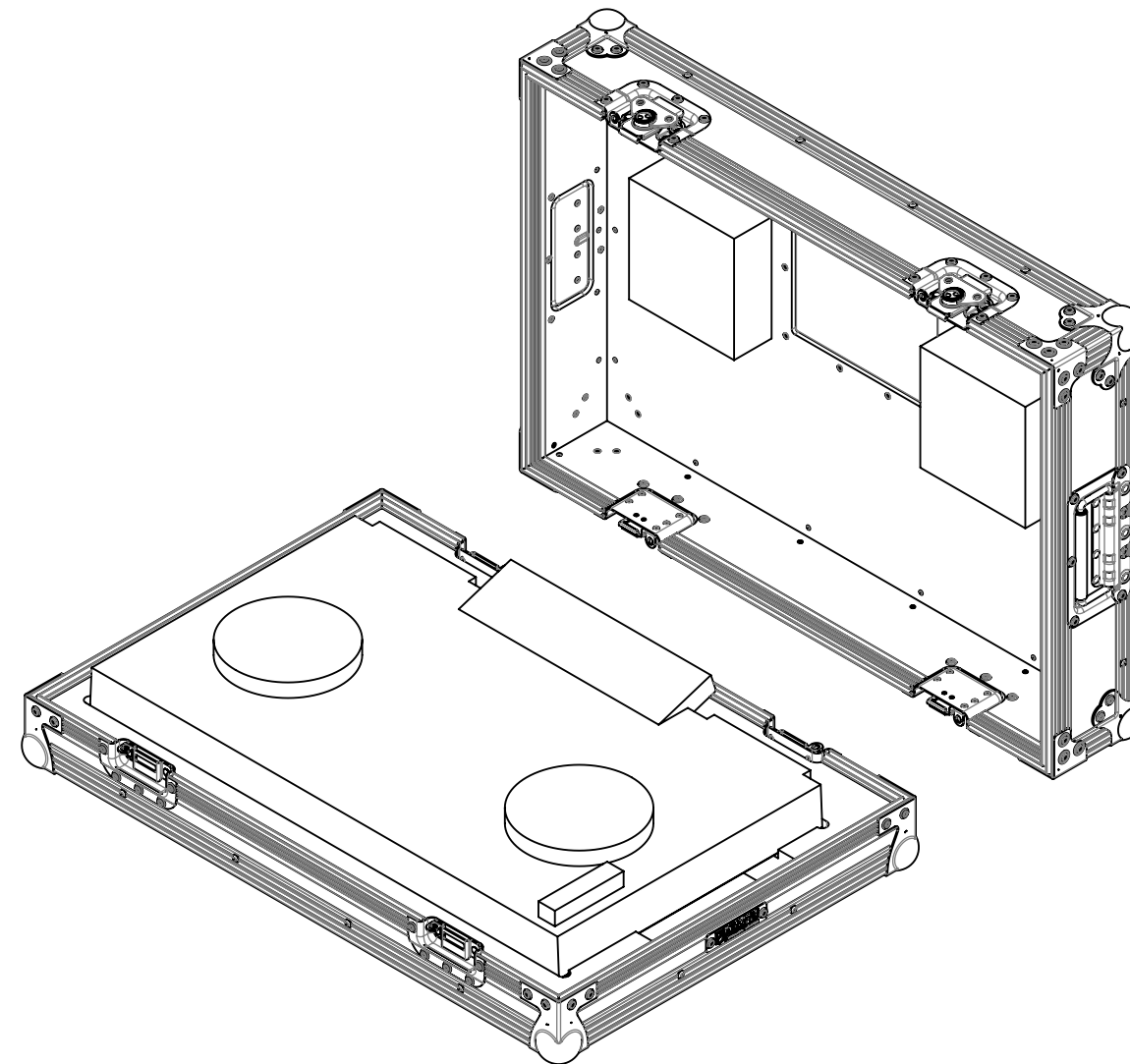
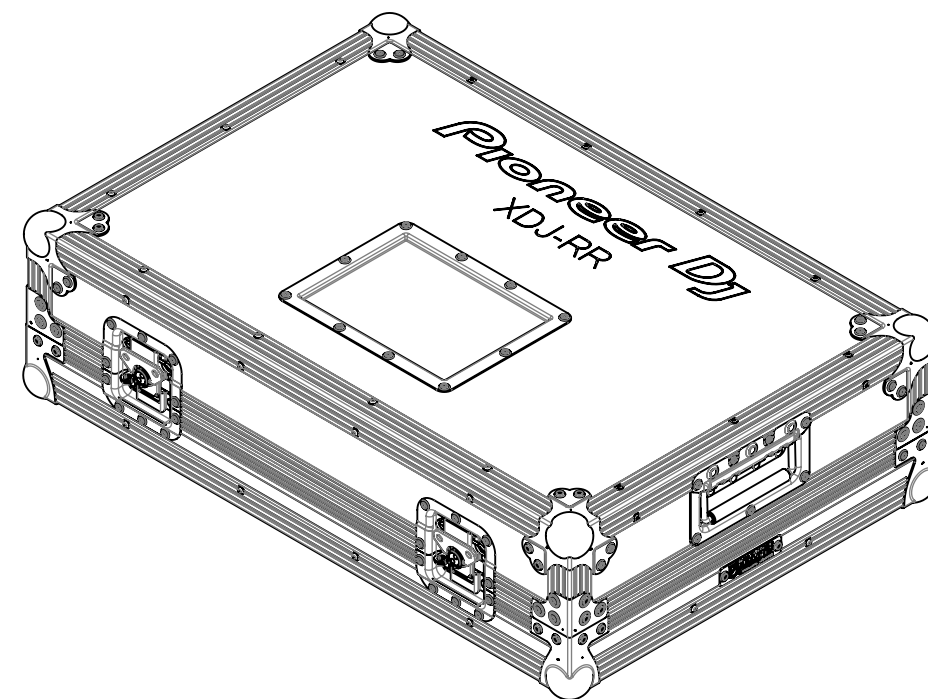
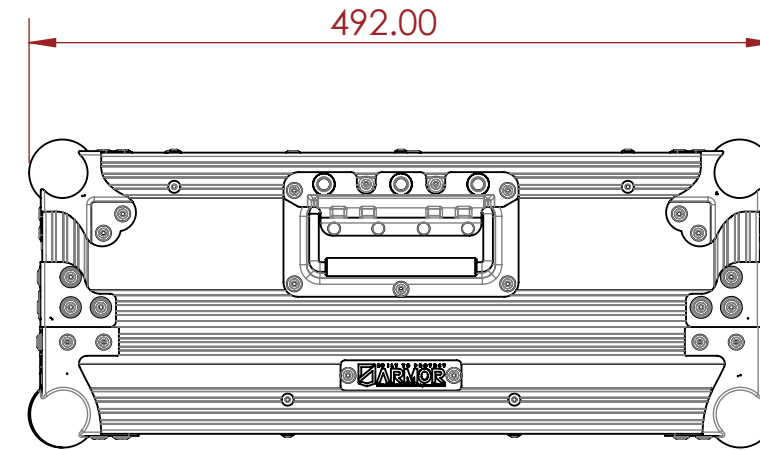
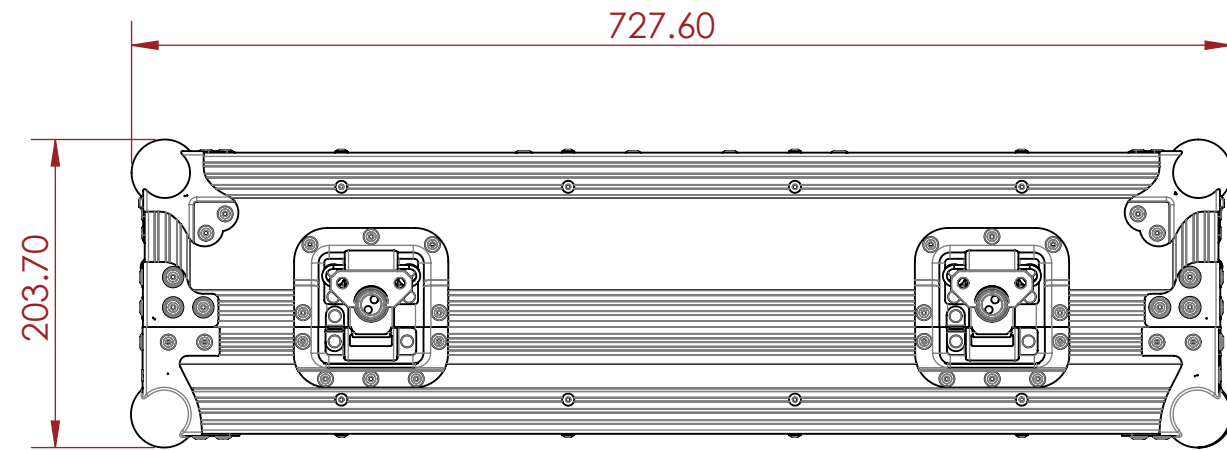
# PRODUCT FEATURES

## CONSTRUCTION

- 9MM BIRCH VENEER PLYWOOD WITH HPL EXTERIOR FACE AND PVC INTERIOR FACE
- PENN ELCOM HARDWARE

## FEATURES

- STORAGE SPACE FOR PIONEER XDJ RR AUDIO MIXER
- EXTRA STORAGE SPACE UNDER PRODUCT FOR STORING ACCESSORIES
- LABEL DISH FOR EASE OF RECOGNITION



NOTES:  
UNLESS SPECIFIED IN THE DRAWING,  
ALL PRODUCTS DISPLAYED IN THIS  
DRAWING OTHER THAN THE CASE  
ITSELF IS NOT PART OF OUR PRODUCT  
OFFERING.

ESTIMATED WEIGHT (CASE ONLY):

13.03 KG

ITEM CODE:

MIXR-XDJ-RR

DRAWN BY:

K.I

CHECKED BY:

AS

SCALE:

NTS



MAIL : [sales@armorcases.com.au](mailto:sales@armorcases.com.au)  
WEB : [www.armorcases.com.au](http://www.armorcases.com.au)