

NOTES:  
UNLESS SPECIFIED IN THE DRAWING,  
ALL PRODUCTS DISPLAYED IN THIS  
DRAWING OTHER THAN THE CASE  
ITSELF IS NOT PART OF OUR PRODUCT  
OFFERING.

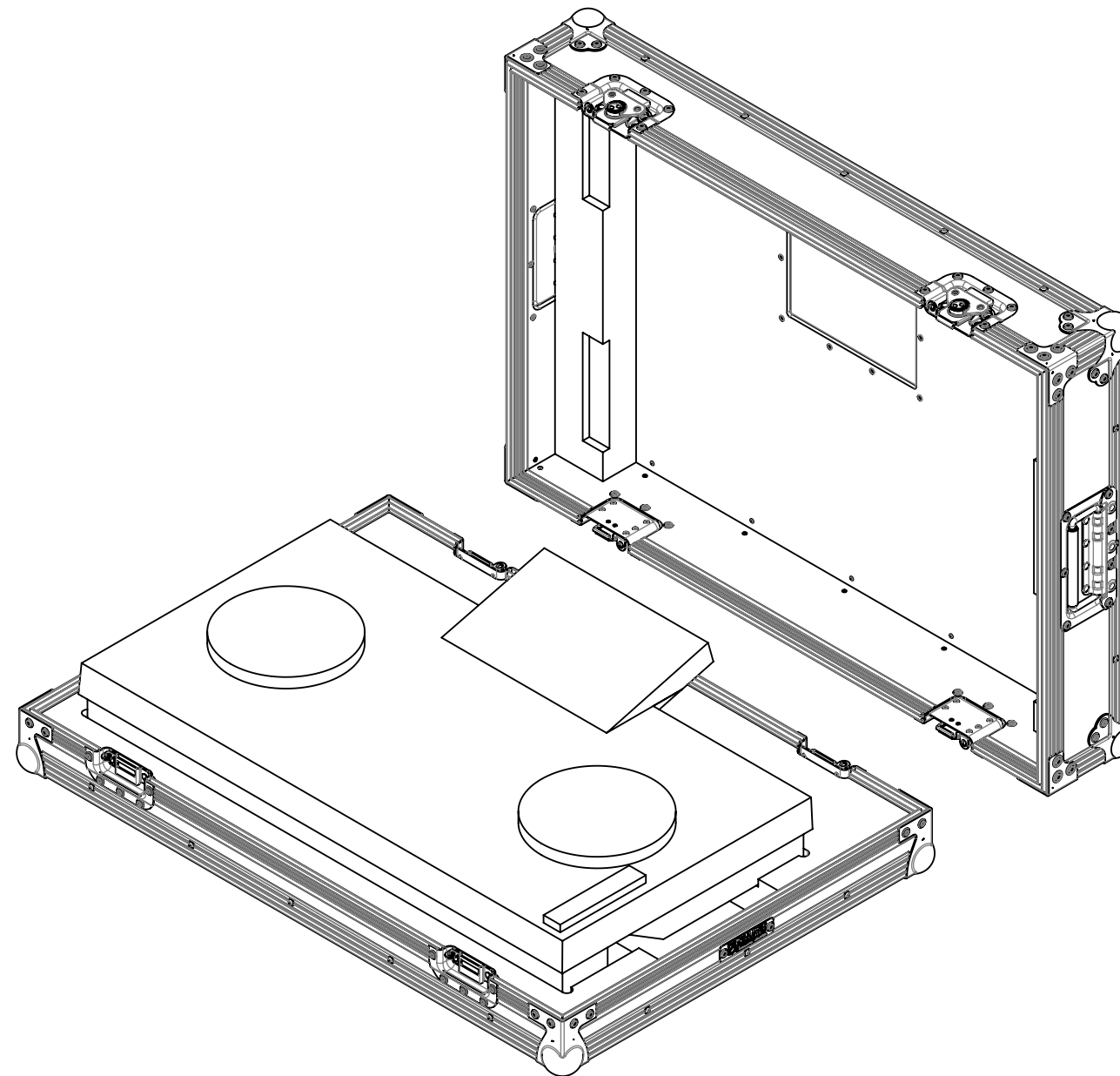
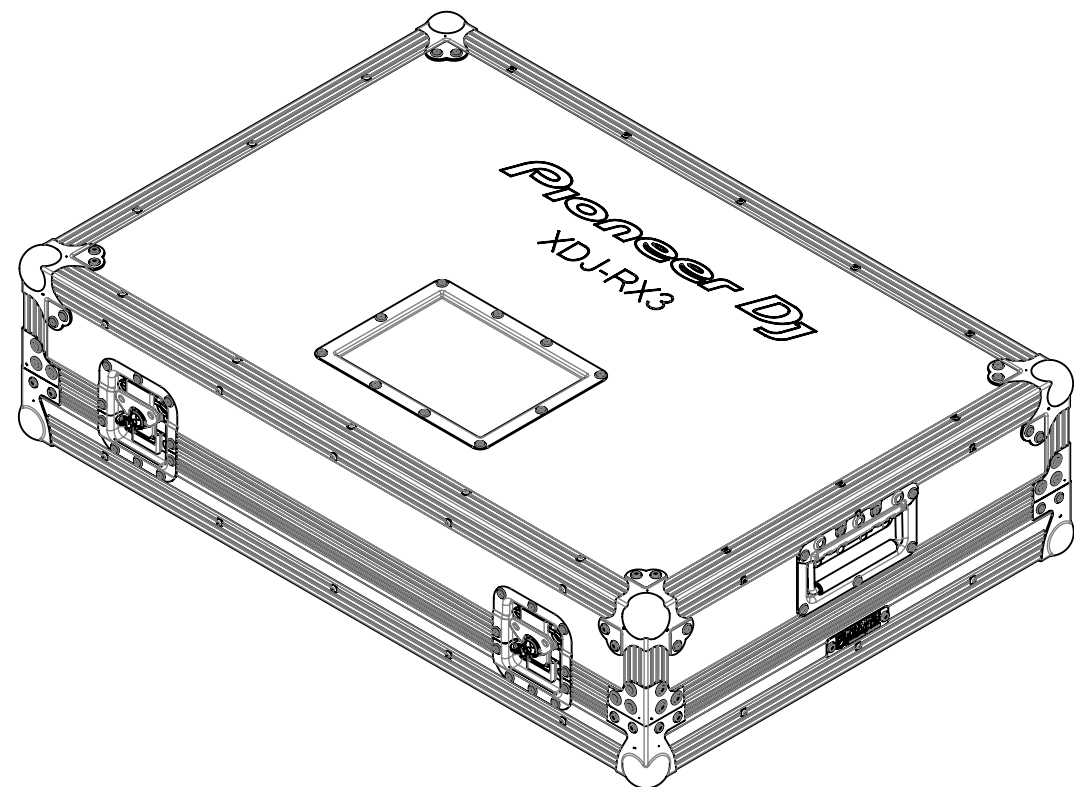
### PRODUCT FEATURES

#### CONSTRUCTION

- 9MM BIRCH VENEER PLYWOOD WITH HPL EXTERIOR FACE AND PVC INTERIOR FACE
- PENN ELCOM HARDWARE

#### FEATURES

- STORAGE SPACE FOR PIONEER XDJ RX3 AUDIO MIXER
- EXTRA STORAGE SPACE UNDER THE PRODUCT FOR STORING ACCESSORIES
- LABEL DISH FOR EASE OF RECOGNITION



ESTIMATED WEIGHT (CASE ONLY):

16.25 KG

ITEM CODE:

MIXR-XDJ-RX3

DRAWN BY:

K.I

CHECKED BY:

AS

SCALE:

NTS



MAIL : [sales@armorcases.com.au](mailto:sales@armorcases.com.au)  
WEB : [www.armorcases.com.au](http://www.armorcases.com.au)