

NOTES:
UNLESS SPECIFIED IN THE DRAWING,
ALL PRODUCTS DISPLAYED IN THIS
DRAWING OTHER THAN THE CASE
ITSELF IS NOT PART OF OUR PRODUCT
OFFERING.

PRODUCT FEATURES

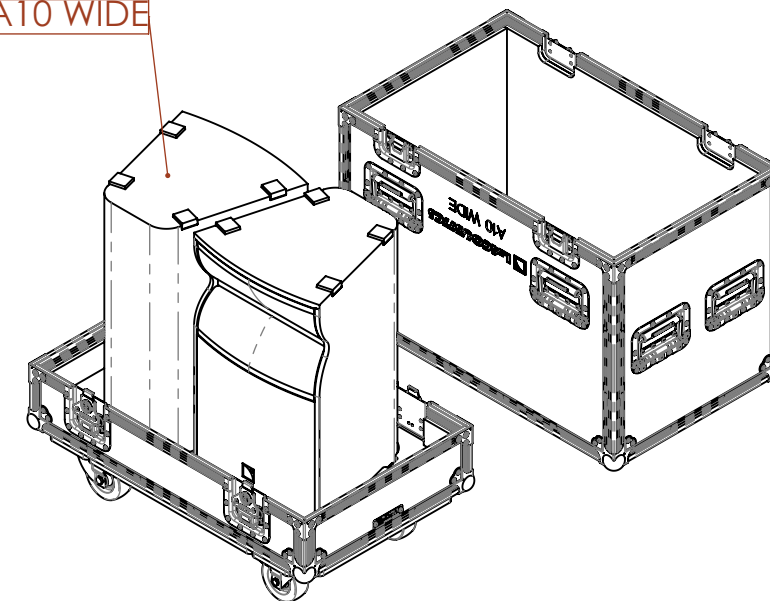
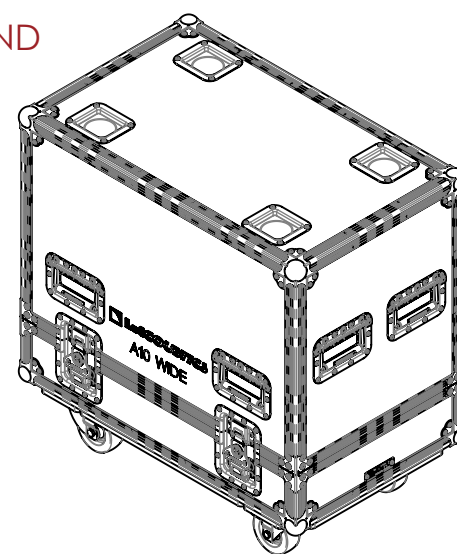
CONSTRUCTION

- 12MM BIRCH VENEER PLYWOOD WITH HPL EXTERIOR FACE AND PVC INTERIOR FACE
- PENN ELCOM HARDWARE.
- 8X ERGONOMIALLY PLACED HANDLES FOR LIFTING AND TRANSPORTING
- LARGE LATCHES
- EVA38B FOAM PROTECTION
- 12MM PAIR CASTORBOARD
- 4X 100MM CASTORS 2X BRAKED
- 4x STEEL CASTOR DISH

FEATURES

- DEDICATED SPACE FOR 2X LACOUSTICS A10 WIDE SPEAKERS
- EASY TO USE LIFT-OFF-LID DESIGN
- STACKABLE
- COMPACT DESIGN

LACOUSTICS A10 WIDE



ESTIMATED WEIGHT (CASE ONLY):

35.2 KG

ITEM CODE:

SPK-LA-A10W

DRAWN BY:

HA

CHECKED BY:

AS

SCALE:

NTS



MAIL : sales@armorcases.com.au
WEB : www.armorcases.com.au