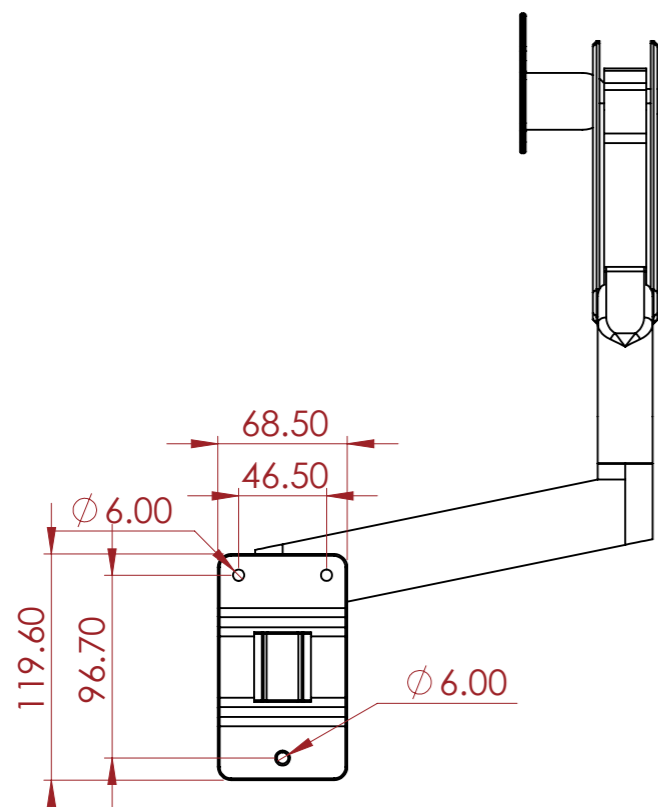
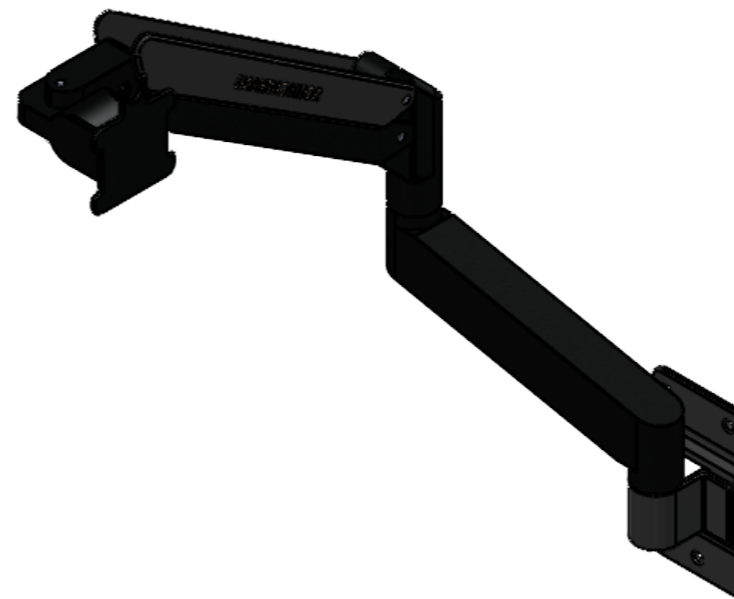
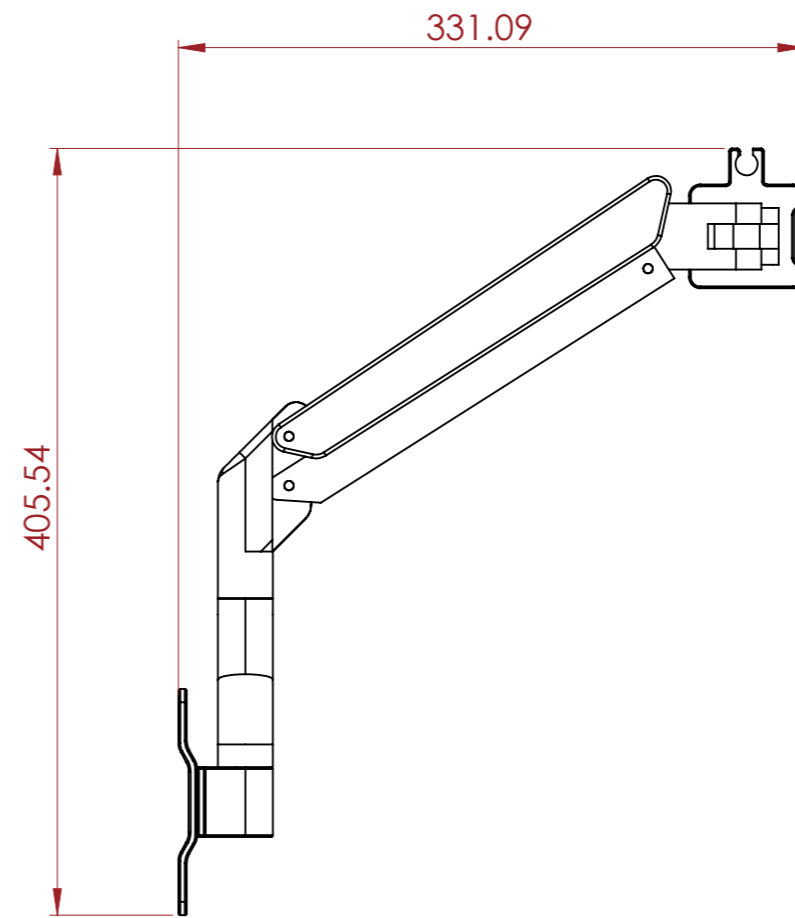


TOP VIEW



LEFT VIEW



FRONT VIEW

NOTES:

REV	DESCRIPTION	DATE
0	ORIGINAL ISSUE	10/31/2022

HARDWARE WEIGHT

4 KG

HARDWARE MATERIAL

Steel, Polyurethane

ITEM CODE:

VESA-ZL104

DRAWN BY:

CHECKED BY:

SCALE:

NTS



ADD : 45/7-9 Percy St, Auburn,
NSW 2144, Australia
PH : 02 9188 6801
MAIL : sales@armorcases.com.au
WEB : www.armorcases.com.au