

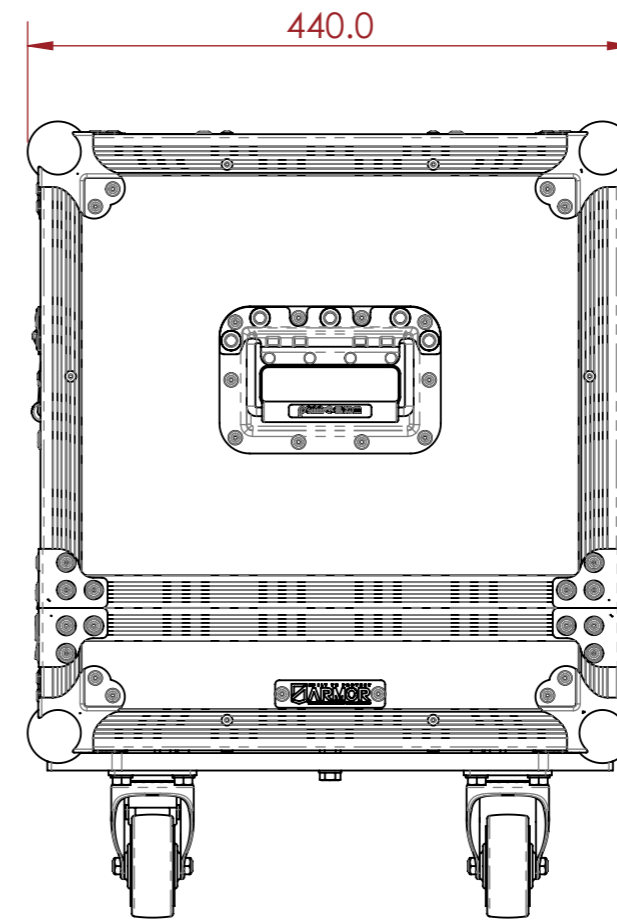
PRODUCT FEATURES

CONSTRUCTION

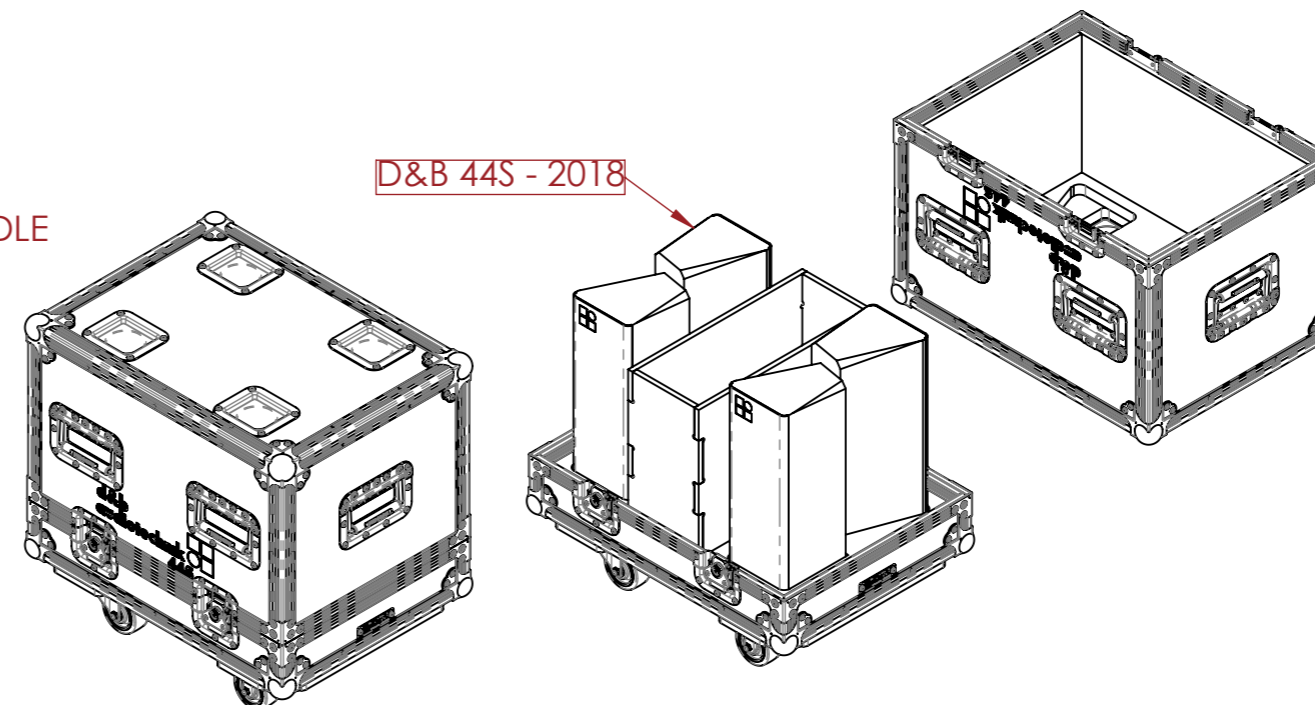
- 12MM BIRCH VENEER PLYWOOD WITH HPL EXTERIOR FACE AND PVC INTERIOR FACE
- PENN ELCOM HARDWARE.
- 6X ERGONOMICALLY PLACED HANDLES FOR LIFTING AND TRANSPORTING
- LARGE LATCHES
- EVA38B FOAM PROTECTION
- 12MM PAIR CASTOR BOARD
- 4X 75mm CASTORS 2X BRAKED
- 4x STEEL CASTOR DISH

FEATURES

- DEDICATED SPACE FOR 4X D&B AUDIOTECHNIK 44S
- GENERAL SPACE FOR STORING ACCESSORIES IN THE MIDDLE
- EASY TO USE LIFT-OFF-LID DESIGN
- STACKABLE
- COMPACT DESIGN



NOTES:
UNLESS SPECIFIED IN THE DRAWING,
ALL PRODUCTS DISPLAYED IN THIS
DRAWING OTHER THAN THE CASE
ITSELF IS NOT PART OF OUR PRODUCT
OFFERING.



ESTIMATED WEIGHT (CASE ONLY):

24.9 KG

ITEM CODE:

SPK-DB-44S

DRAWN BY:

HA

CHECKED BY:

AS

SCALE:

NTS



MAIL : sales@armorcases.com.au
WEB : www.armorcases.com.au