

NOTES:  
UNLESS SPECIFIED IN THE DRAWING,  
ALL PRODUCTS DISPLAYED IN THIS  
DRAWING OTHER THAN THE CASE  
ITSELF IS NOT PART OF OUR PRODUCT  
OFFERING.

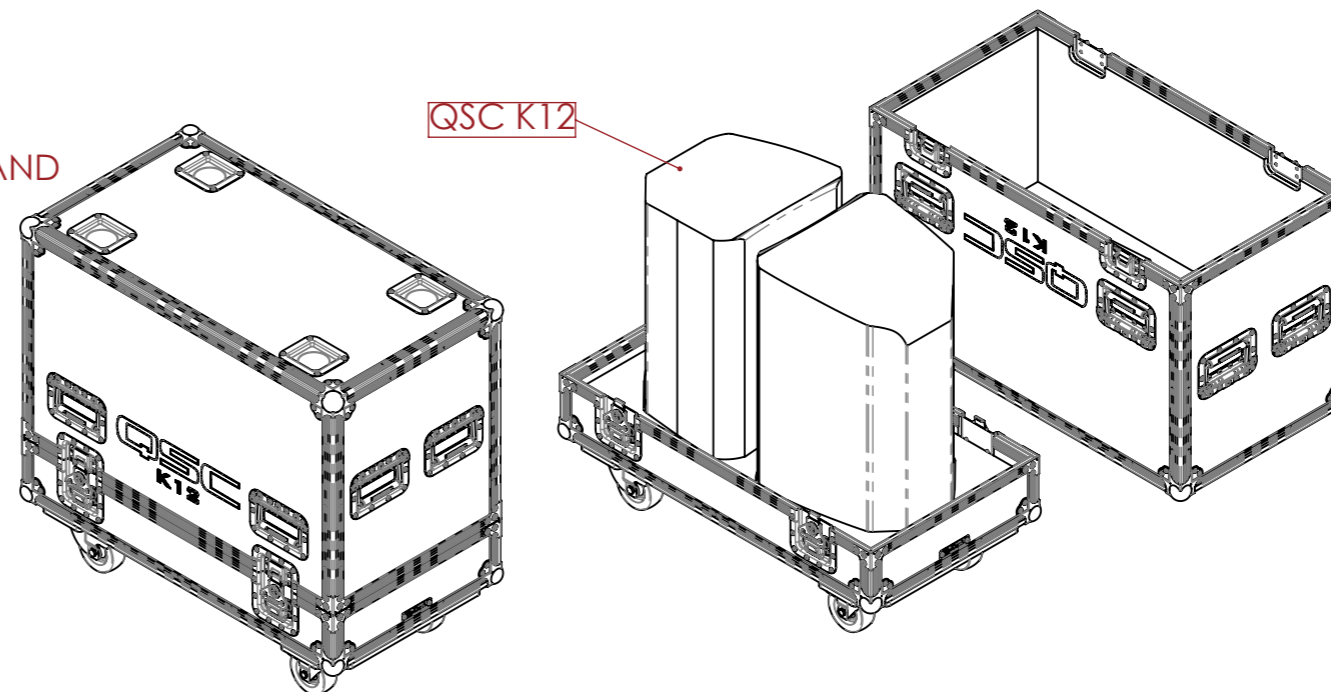
## PRODUCT FEATURES

### CONSTRUCTION

- 12MM BIRCH VENEER PLYWOOD WITH HPL EXTERIOR FACE AND PVC INTERIOR FACE
- PENN ELCOM HARDWARE.
- 8X ERGONOIMICALLY PLACED HADNLES FOR LIFTING AND TRANSPORTING
- LARGE LATCHES
- EVA38B FOAM PROTECTION
- 12MM PAIR CASTORBOARD
- 4X 100MM CASTORS 2X BRAKED
- 4x STEEL CASTOR DISH

### FEATURES

- DEDICATED SPACE FOR 2X QSC K12 SPEAKERS
- EASY TO USE LIFT-OFF-LID DESIGN
- STACKABLE
- COMPACT DESIGN



ESTIMATED WEIGHT (CASE ONLY):

38.4 KG

ITEM CODE:

SPK-QSC-K12

DRAWN BY:

HA

CHECKED BY:

AS

SCALE:

NTS



MAIL : [sales@armorcases.com.au](mailto:sales@armorcases.com.au)  
WEB : [www.armorcases.com.au](http://www.armorcases.com.au)