

PRODUCT FEATURES

**CONSTRUCTION**

- 12MM BIRCH VENEER PLYWOOD WITH HPL EXTERIOR FACE AND PVC INTERIOR FACE
- ARMOR HARDWARE

**INSTALLED EQUIPMENT (INCLUDED)**

- 1X POWERBOARD

**INSTALLED DEVICES (NOT INCLUDED)**

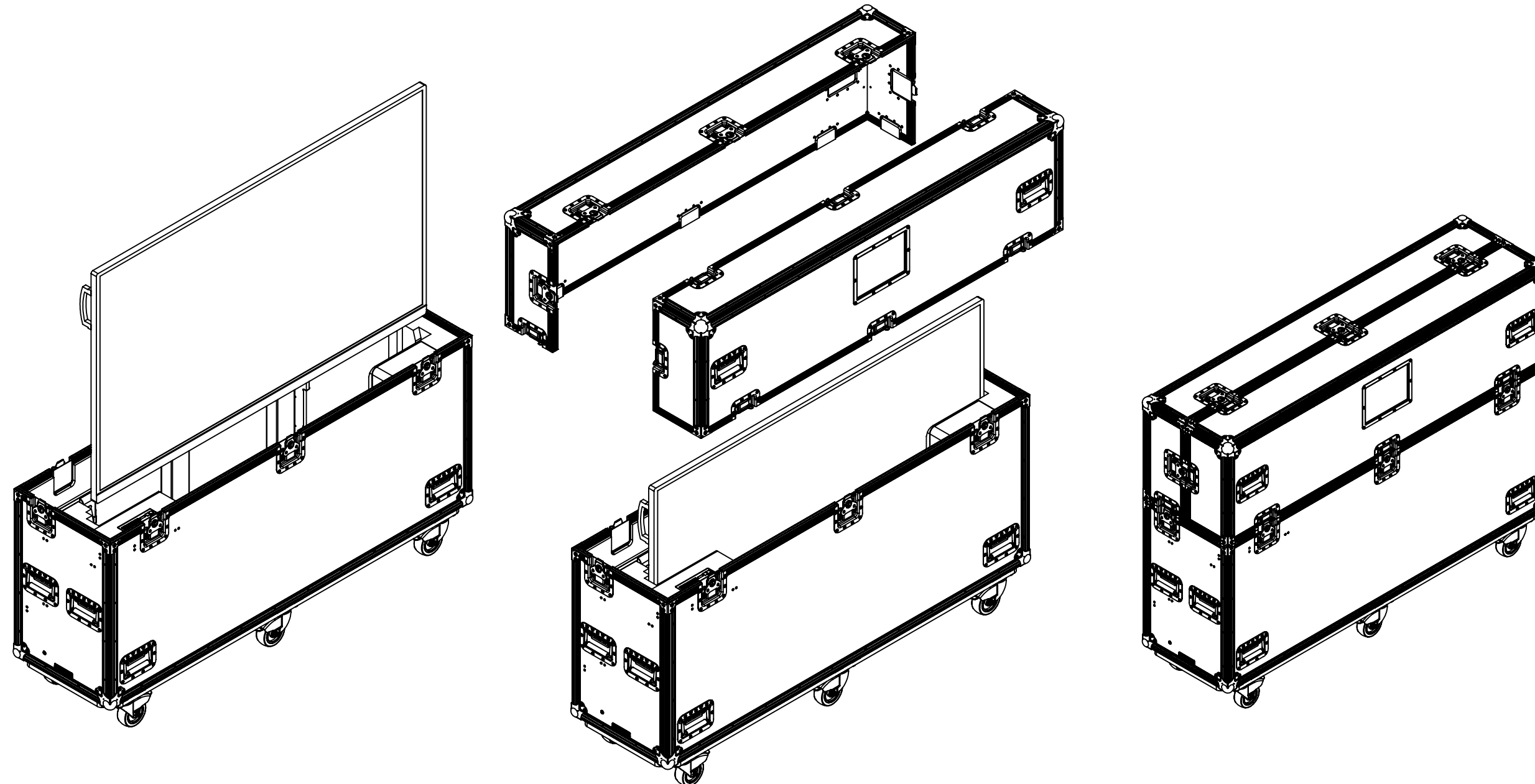
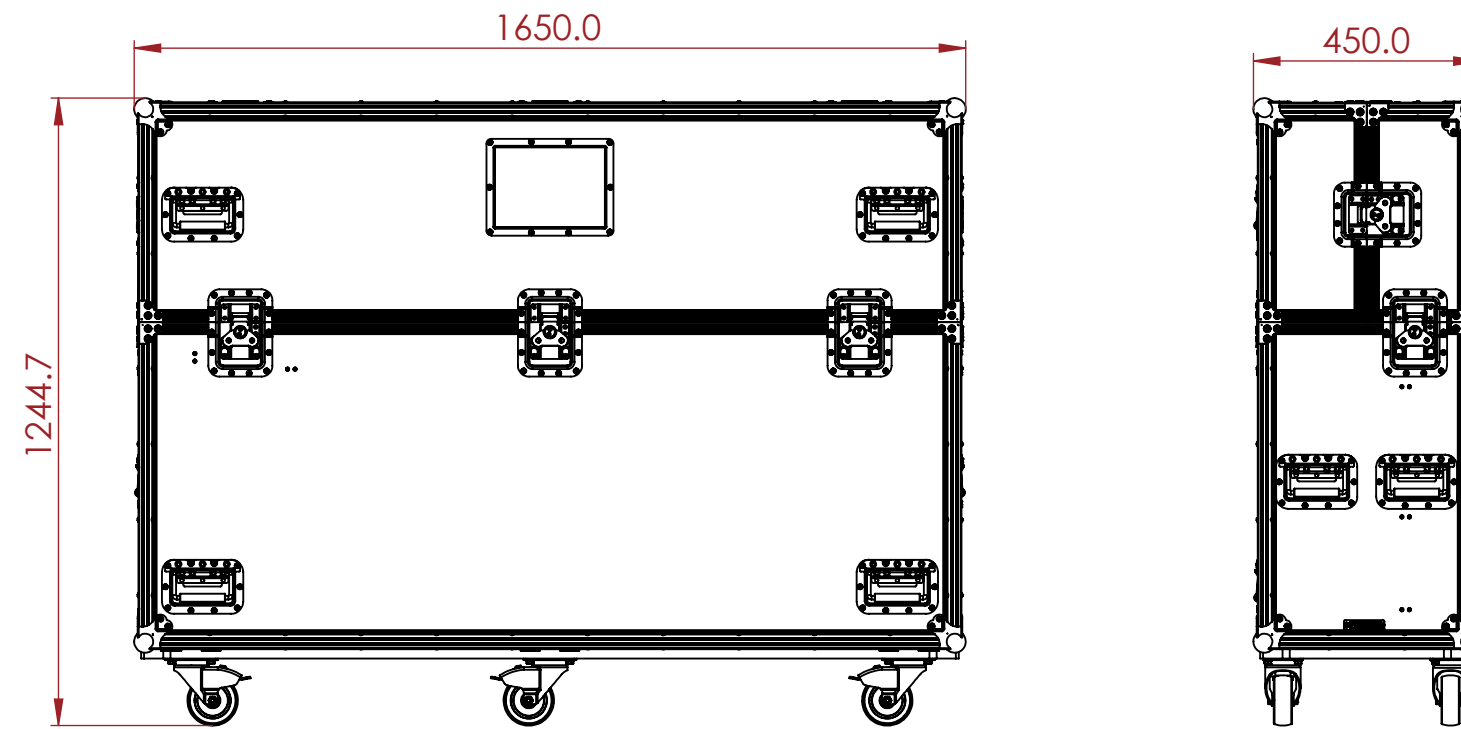
- 1X LG 65INCH CREATEBOARD 65TR3DK-B

**FEATURES**

- BUILT IN MOTORIZED DOUBLE POST LIFT
- SPLIT LID
- HATCH DOOR LOCATED AT THE BACK

**KEY MEASUREMENTS**

- MAXIMUM HEIGHT OF TV WHEN LIFTED 2031.9MM
- STORAGE ON THE LEFT - 441.1X126.4X375.3MM(WDXH)
- STORAGE ON THE RIGHT - 441.1X126.4X602MM(WDXH)



NOTES:  
UNLESS SPECIFIED IN THE DRAWING,  
ALL PRODUCTS DISPLAYED IN THIS  
DRAWING OTHER THAN THE CASE  
ITSELF IS NOT PART OF OUR PRODUCT  
OFFERING.

ESTIMATED WEIGHT (CASE ONLY):  
135.00 KG

ITEM CODE:  
TVL-LG-65TR3DK-SL

DRAWN BY: RP      CHECKED BY: AS

SCALE:  
NTS



MAIL : [sales@armorcases.com.au](mailto:sales@armorcases.com.au)  
WEB : [www.armorcases.com.au](http://www.armorcases.com.au)