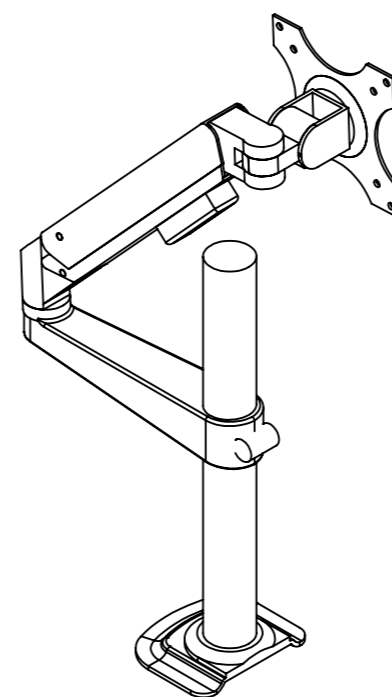
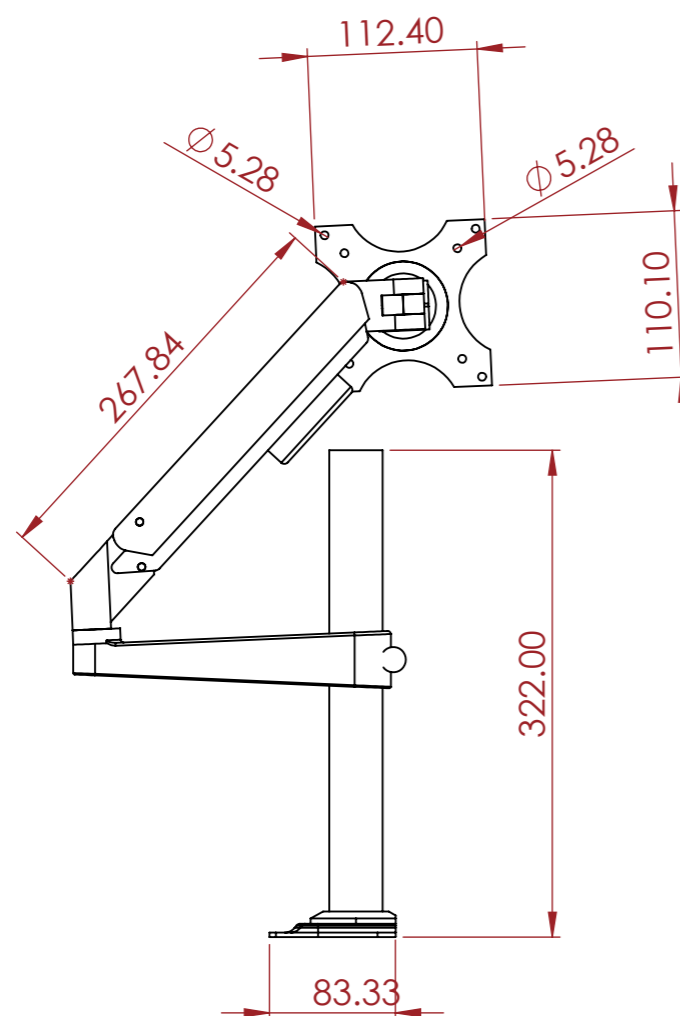


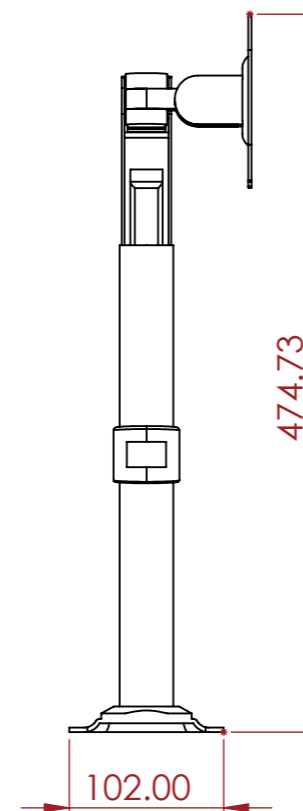
TOP VIEW



ISOMETRIC VIEW



FRONT VIEW



SIDE VIEW

NOTES:

REV	DESCRIPTION	DATE
0	ORIGINAL ISSUE	10/31/2022

HARDWARE WEIGHT

3.2 KG

HARDWARE MATERIAL

Steel, Polyurethane

ITEM CODE:

VESA-KL100

DRAWN BY:

CHECKED BY:

SCALE:

NTS



MAIL : [sales@armorcases.com.au](mailto:sales@armorcases.com.au)

WEB : [www.armorcases.com.au](http://www.armorcases.com.au)