

PRODUCT FEATURES

CONSTRUCTION

- 12MM BIRCH VENEER PLYWOOD WITH HPL EXTERIOR FACE AND PVC INTERIOR FACE
- PENN ELCOM LATCHES AND HANDLES

INSTALLED EQUIPMENT (INCLUDED)

- NONE

FEATURES

- NOT APPLICABLE

KEY MEASUREMENTS

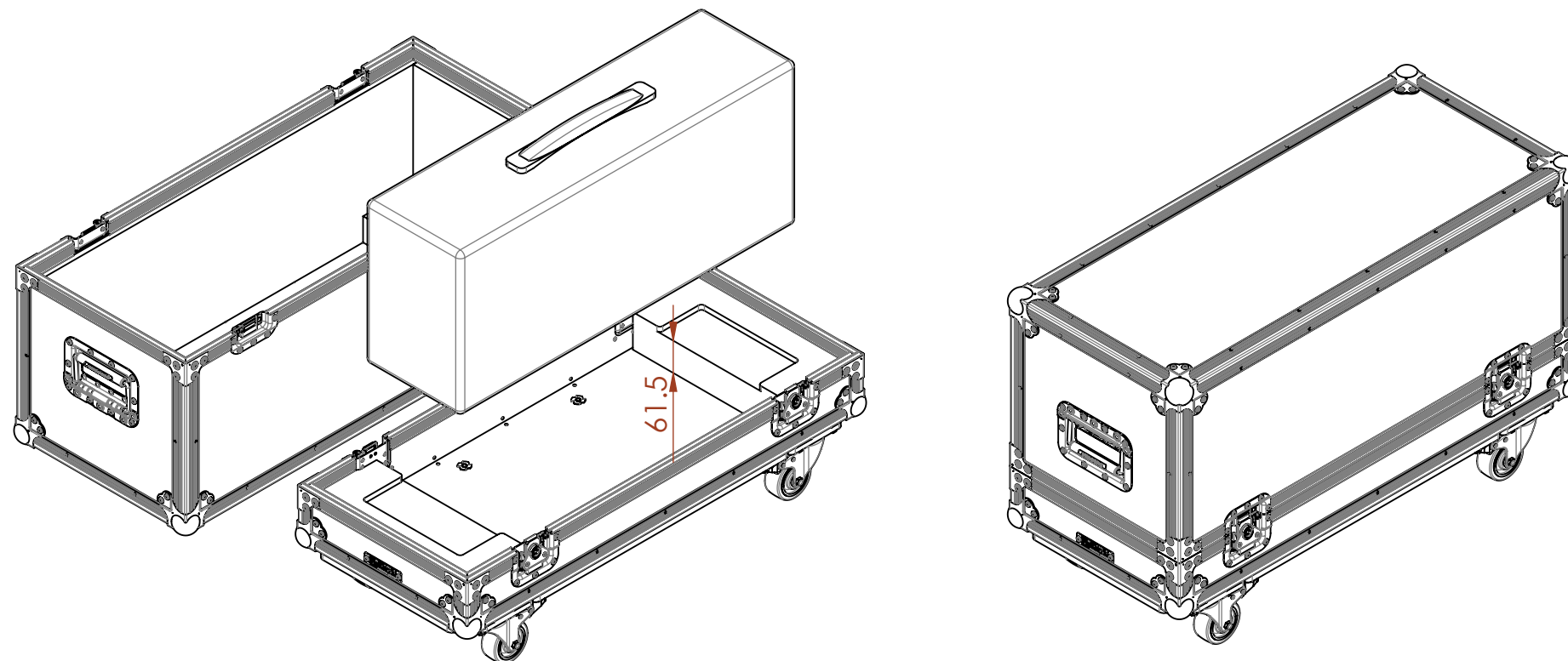
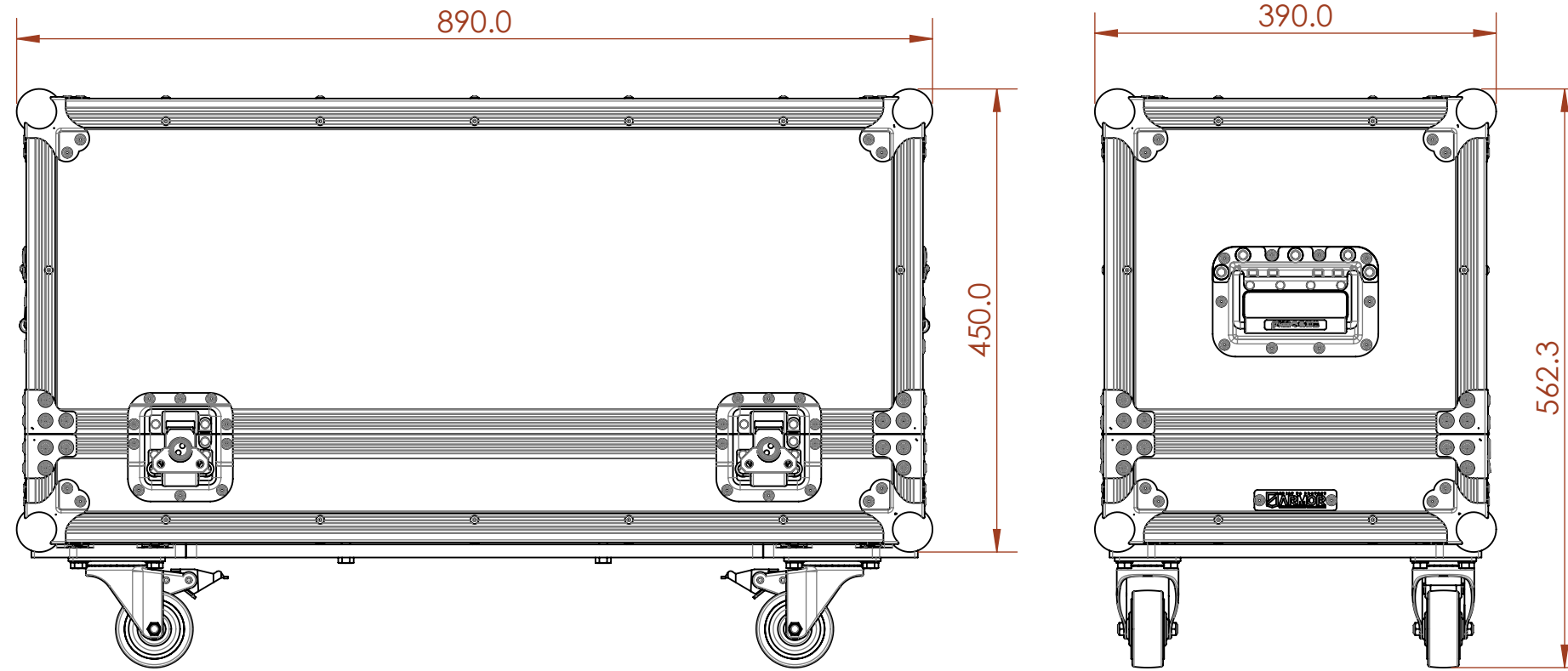
- TRUCK FRIENDLY DIMENSIONS

DESIGN SPECIFICATIONS

- GENERAL STORAGE SPACE UNDER THE AMP

NOTES:

UNLESS SPECIFIED IN THE DRAWING, ALL PRODUCTS DISPLAYED IN THIS DRAWING OTHER THAN THE CASE ITSELF IS NOT PART OF OUR PRODUCT OFFERING.



ESTIMATED WEIGHT (CASE ONLY):

24.6 KG

ITEM CODE:

AMP9445-MAS-JCM900

DRAWN BY:

HA

CHECKED BY:

AS

SCALE:

NTS



MAIL : sales@armorcases.com.au
 WEB : www.armorcases.com.au