

PRODUCT FEATURES

CONSTRUCTION

- 12MM BIRCH VENEER PLYWOOD WITH HPL EXTERIOR FACE AND PVC INTERIOR FACE
- PENN ELCOM LATCHES AND HANDLES

INSTALLED EQUIPMENT (INCLUDED)

- NONE

FEATURES

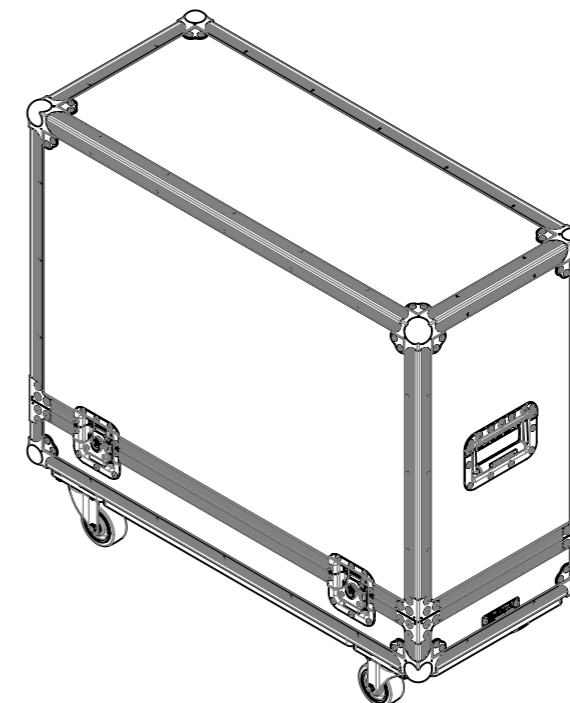
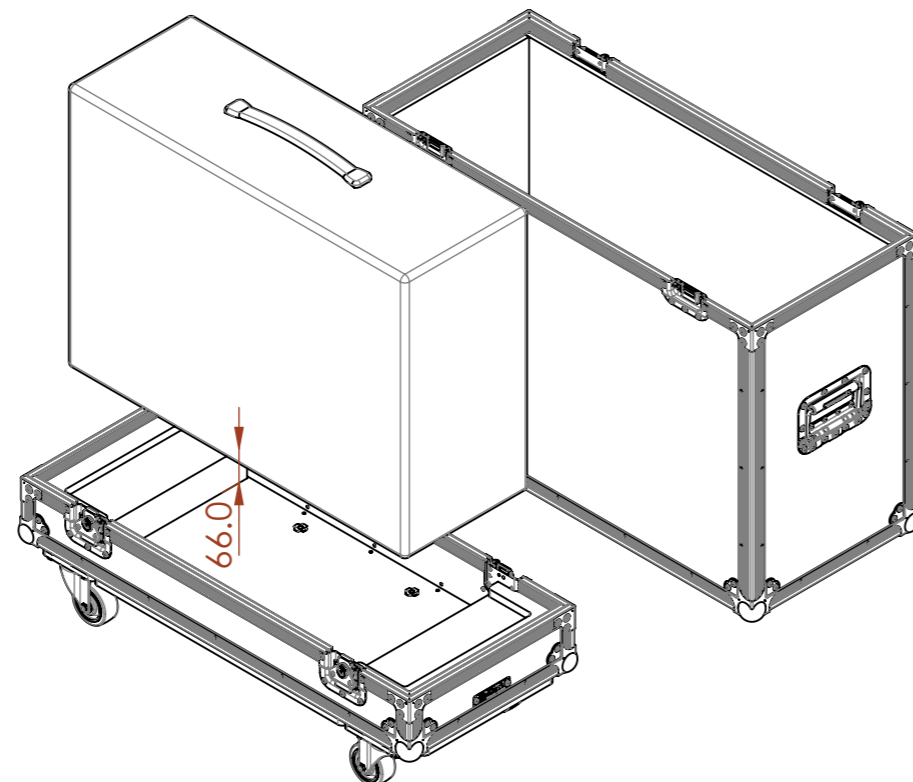
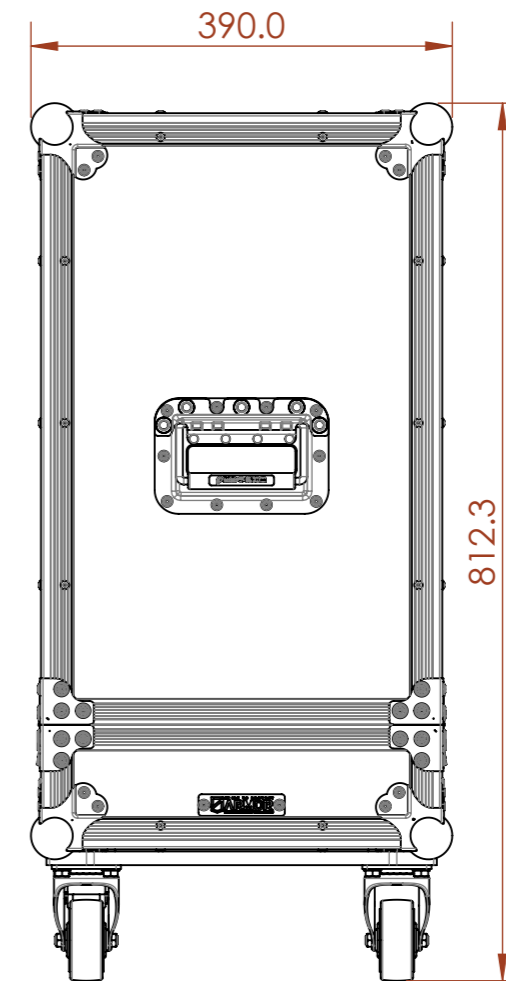
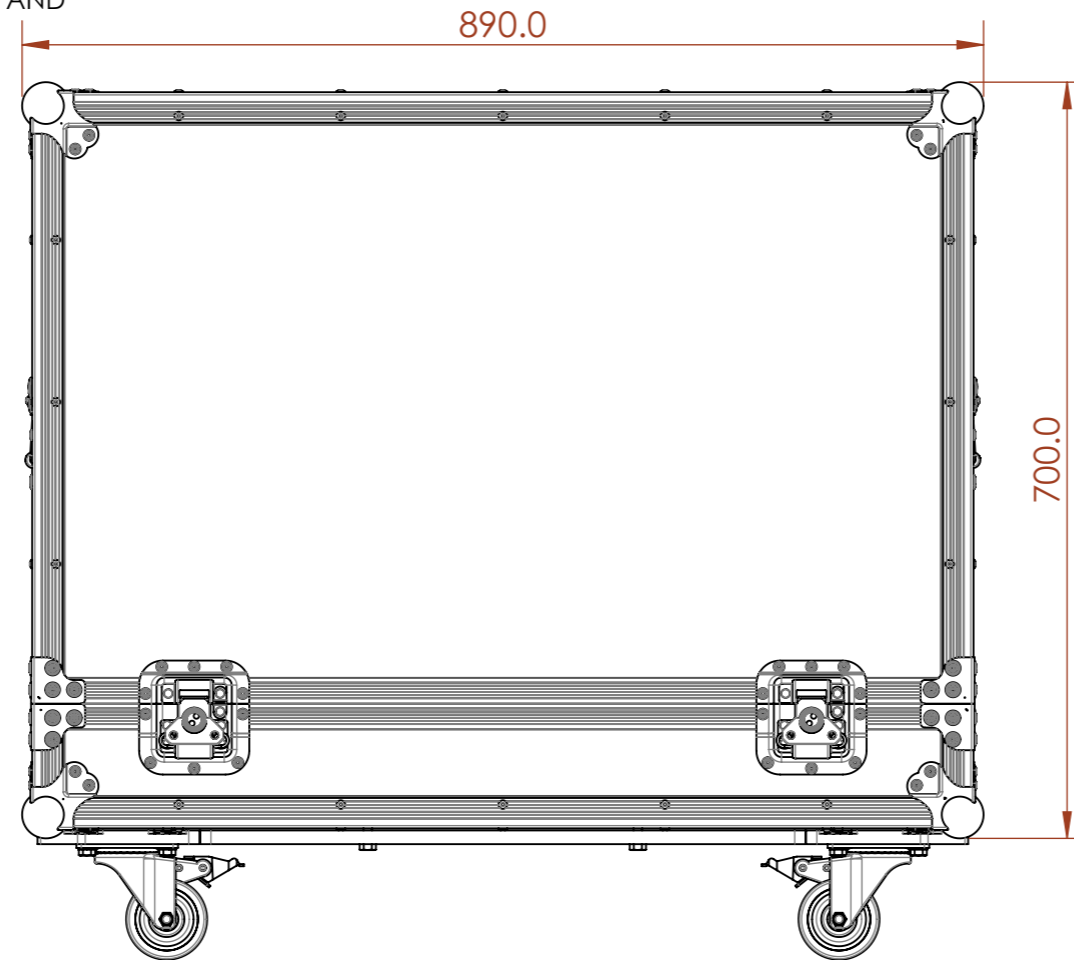
- NOT APPLICABLE

KEY MEASUREMENTS

- TRUCK FRIENDLY DIMENSIONS

DESIGN SPECIFICATIONS

- GENERAL STORAGE SPACE UNDER THE AMP



NOTES:
UNLESS SPECIFIED IN THE DRAWING,
ALL PRODUCTS DISPLAYED IN THIS
DRAWING OTHER THAN THE CASE
ITSELF IS NOT PART OF OUR PRODUCT
OFFERING.

ESTIMATED WEIGHT (CASE ONLY):
30.4 KG

ITEM CODE:
AMP9470-RND-JC120

DRAWN BY: H.A. CHECKED BY: AS

SCALE:
NTS



MAIL : sales@armorcases.com.au
WEB : www.armorcases.com.au