

PRODUCT FEATURES

CONSTRUCTION

- 9MM BIRCH VENEER PLYWOOD WITH HPL EXTERIOR FACE AND PVC INTERIOR FACE
- PENN ELCOM HARDWARE

INSTALLED EQUIPMENT (INCLUDED)

- NONE

FEATURES

- GENERAL STORAGE FOR ACCESSORIES

KEY MEASUREMENTS

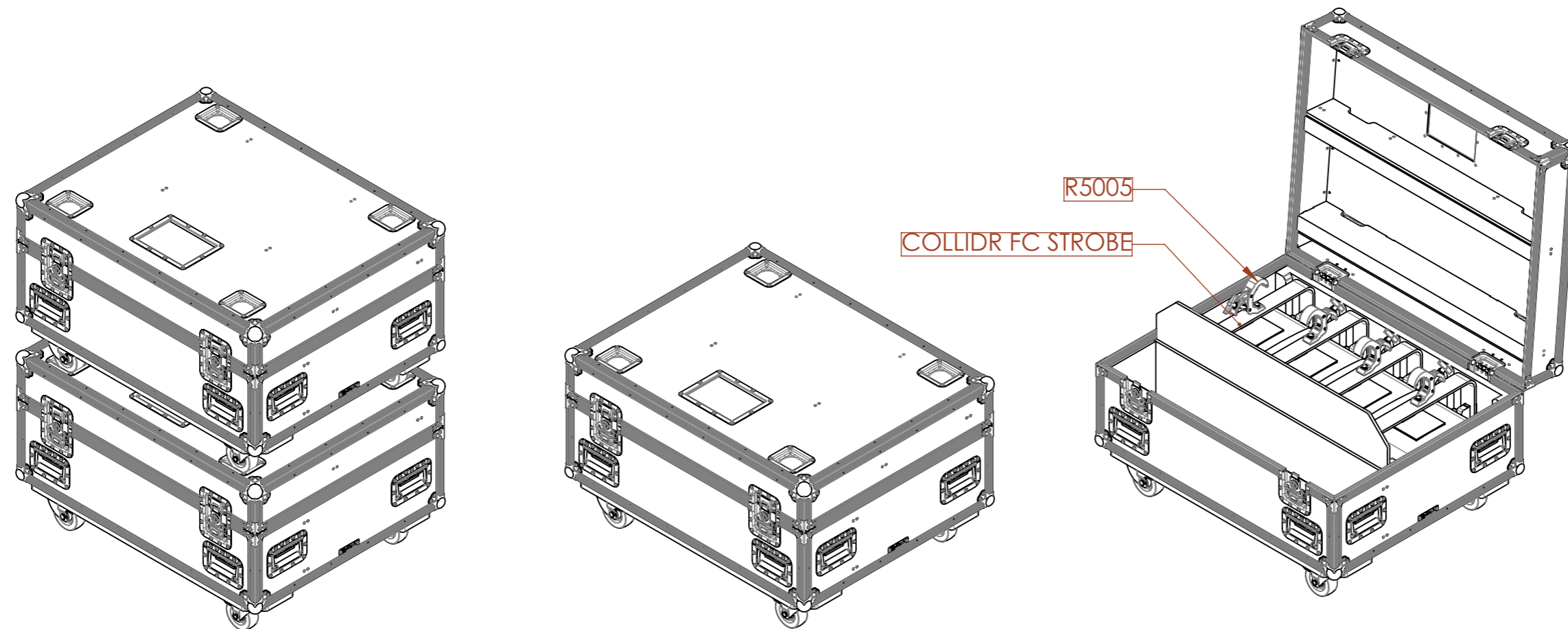
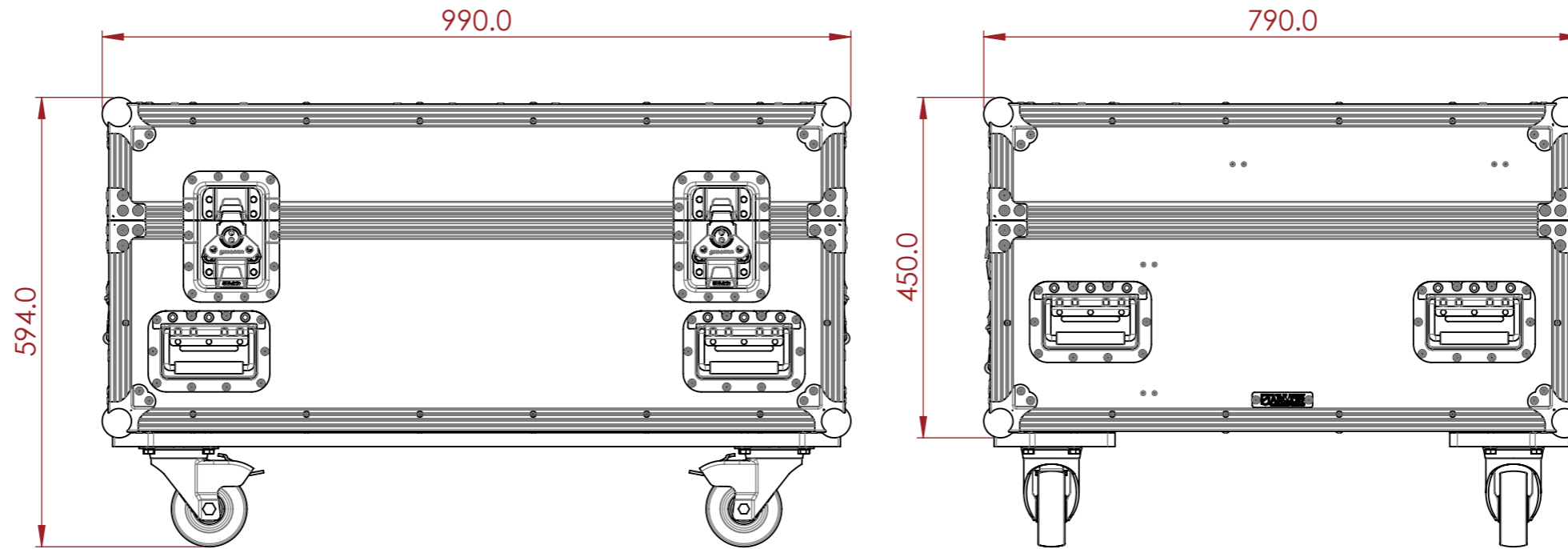
- NONE

DESIGN SPECIFICATIONS

- NOT APPLICABLE

NOTES:

UNLESS SPECIFIED IN THE DRAWING, ALL PRODUCTS DISPLAYED IN THIS DRAWING OTHER THAN THE CASE ITSELF IS NOT PART OF OUR PRODUCT OFFERING.



ESTIMATED WEIGHT (CASE ONLY):

45.31 KG

ITEM CODE:

LXBAR-SP-CFCS

DRAWN BY:

HA

CHECKED BY:

AS

SCALE:

NTS



MAIL : sales@armorcases.com.au
 WEB : www.armorcases.com.au