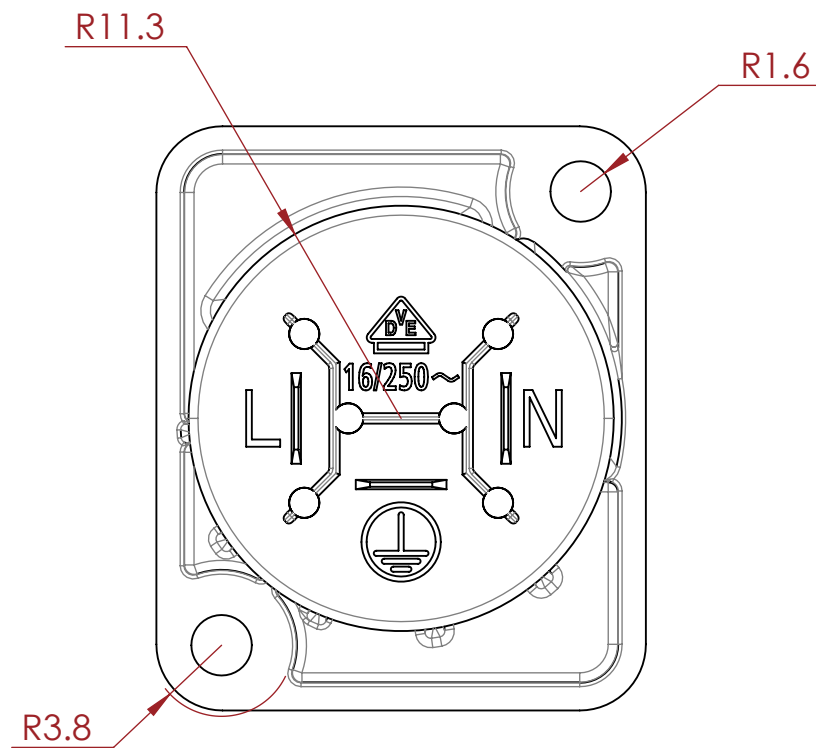
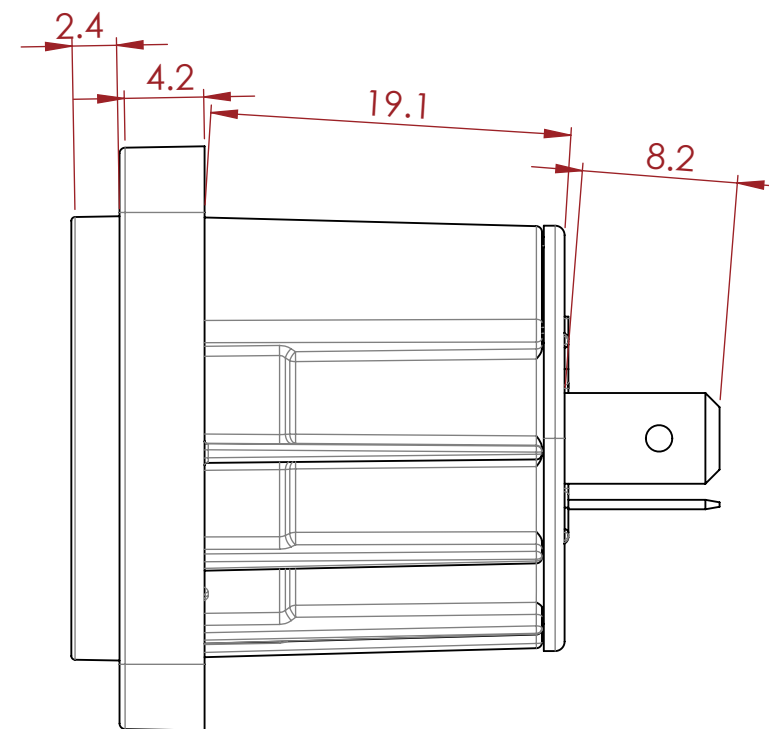
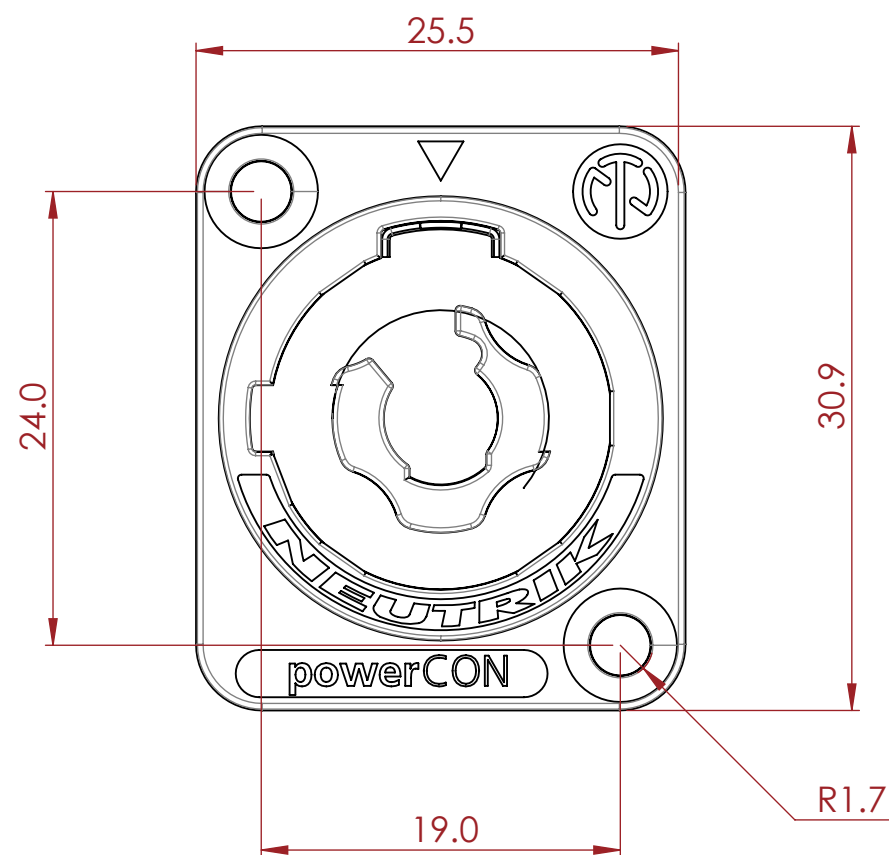
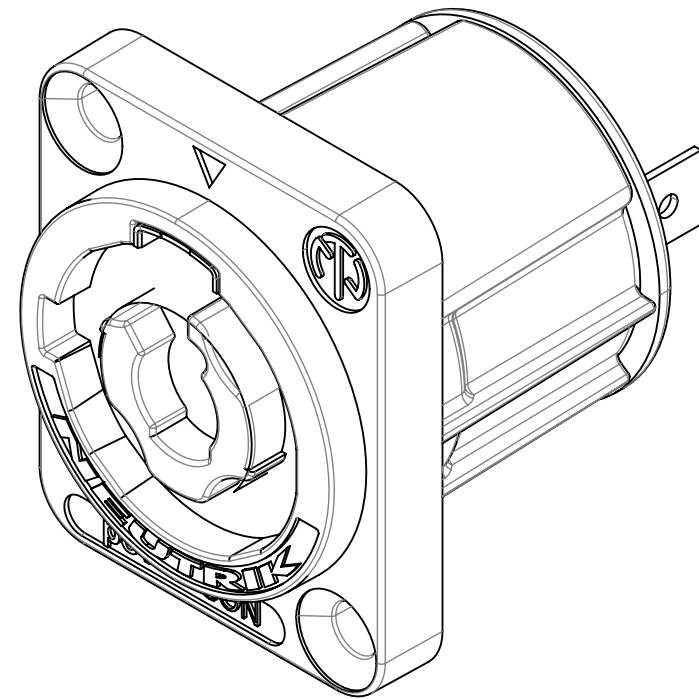
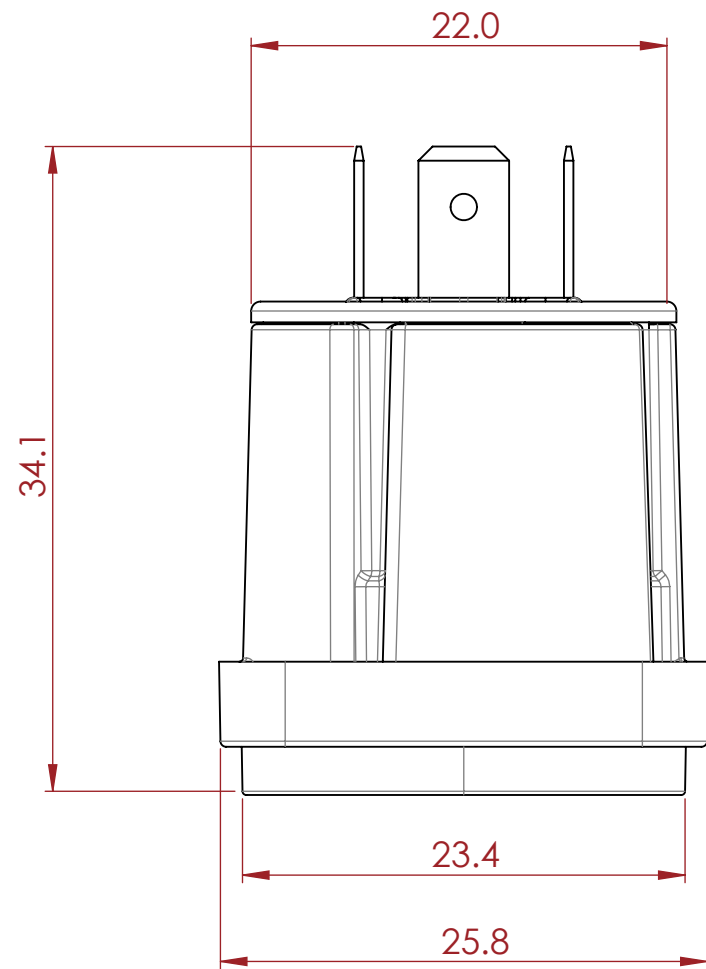


1 2 3 4 5 6 7 8 9 10 11 12 13 14 15 16

A
B
C
D
E
F
G
H



NOTES:

REV	DESCRIPTION	DATE
0	ORIGINAL ISSUE	10/31/2022

HARDWARE WEIGHT
0.023 KG

HARDWARE MATERIAL
1

ITEM CODE:
DATA-D-PWRCON-IN

DRAWN BY: RP CHECKED BY: AS

SCALE:
NTS



ADD : 45/7-9 Percy St, Auburn,
NSW 2144, Australia
PH : 02 9188 6801
MAIL : sales@armorcases.com.au
WEB : www.armorcases.com.au

1 2 3 4 5 6 7 8 9 10 11 12 13 14 15 16