

PRODUCT FEATURES

CONSTRUCTION

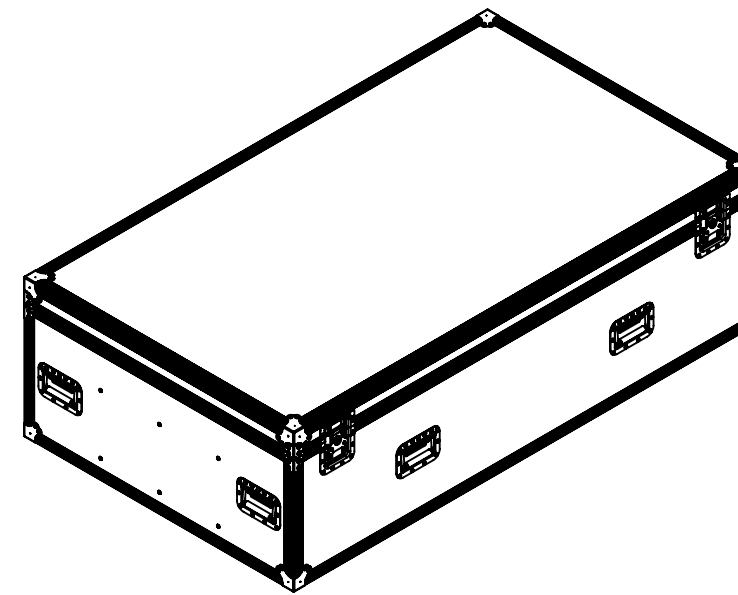
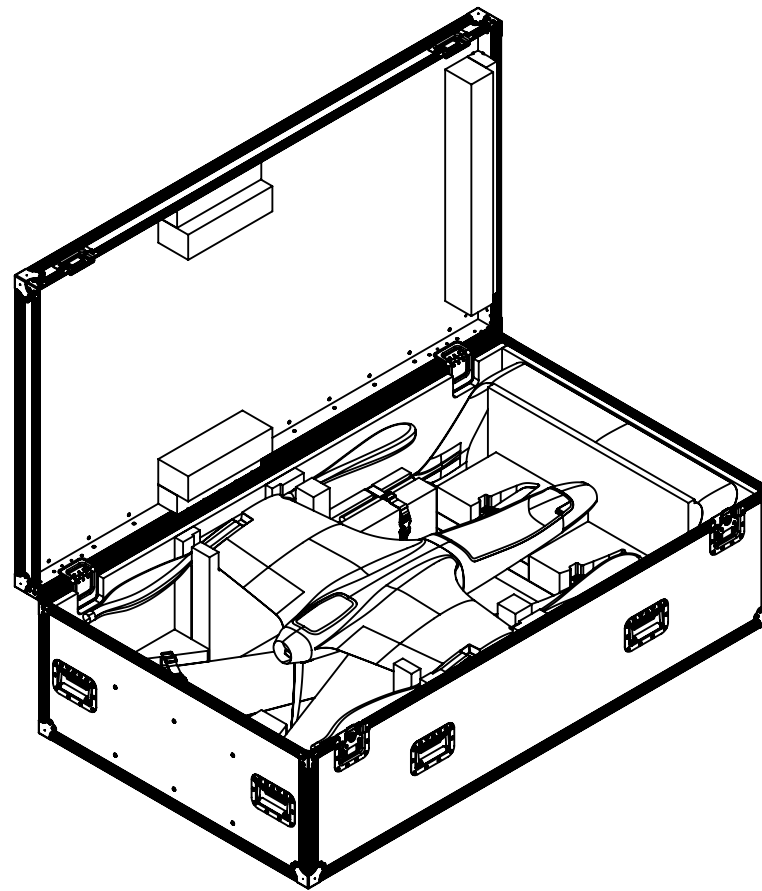
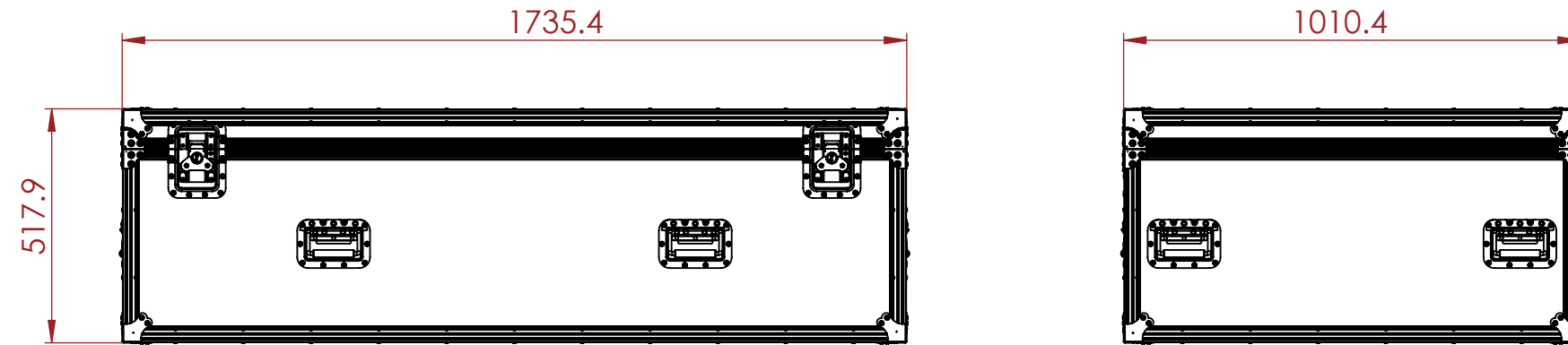
- 7MM POLYPROPYLENE PLASTIC FLIGHT PANEL
- ARMOR HARDWARE

INSTALLED EQUIPMENT NOT INCLUDED

- CARBONIX VOLANTI

FEATURES

- INTERNAL FOAM LINING
- BUCKLES WITH 25MM WEBBING
- HINGED LID



NOTES:

UNLESS SPECIFIED IN THE DRAWING,
ALL PRODUCTS DISPLAYED IN THIS
DRAWING OTHER THAN THE CASE
ITSELF IS NOT PART OF OUR PRODUCT
OFFERING.

ESTIMATED WEIGHT (CASE ONLY):

43.04 KG

ITEM CODE:

LOL-CARBO-VOLANTI

DRAWN BY:

RP

CHECKED BY:

AS

SCALE:

NTS



MAIL : sales@armorcases.com.au

WEB : www.armorcases.com.au