

PRODUCT FEATURES

CONSTRUCTION

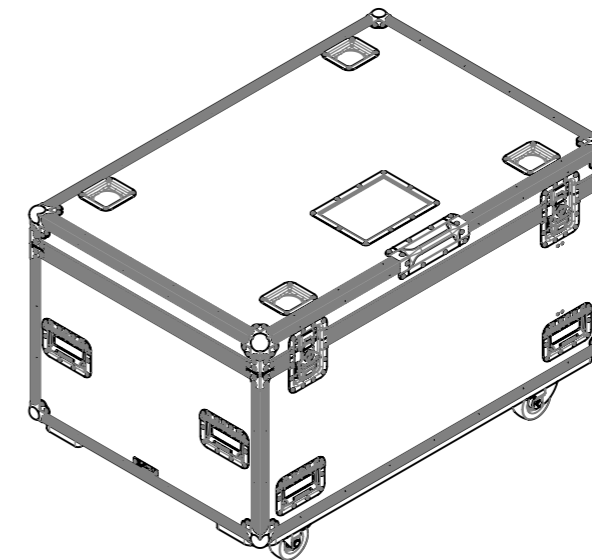
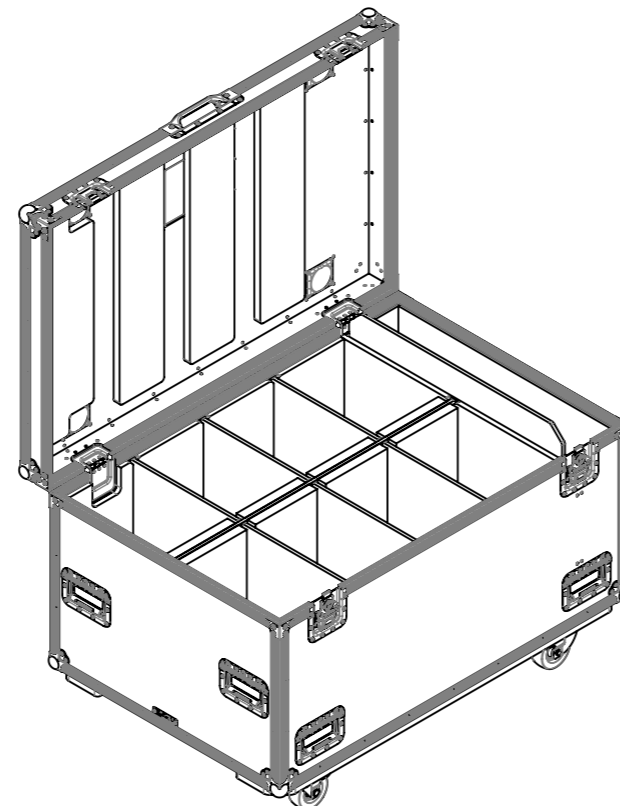
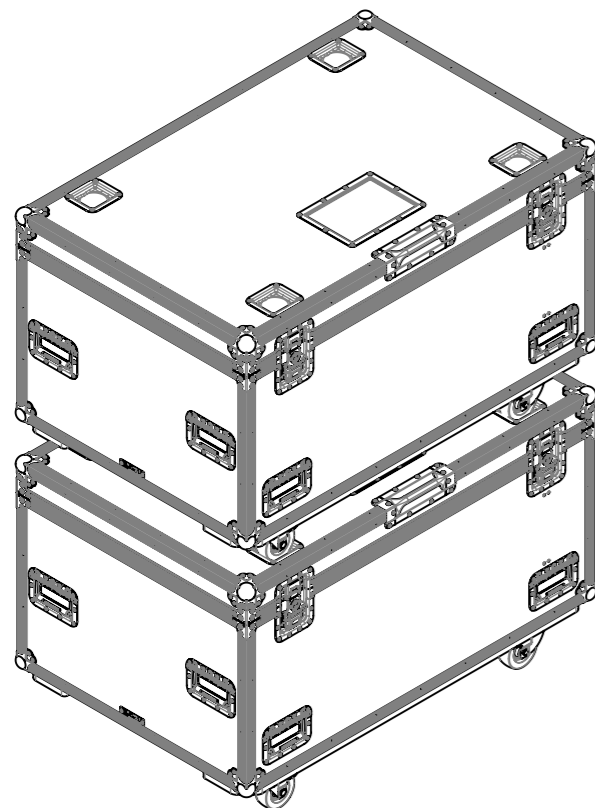
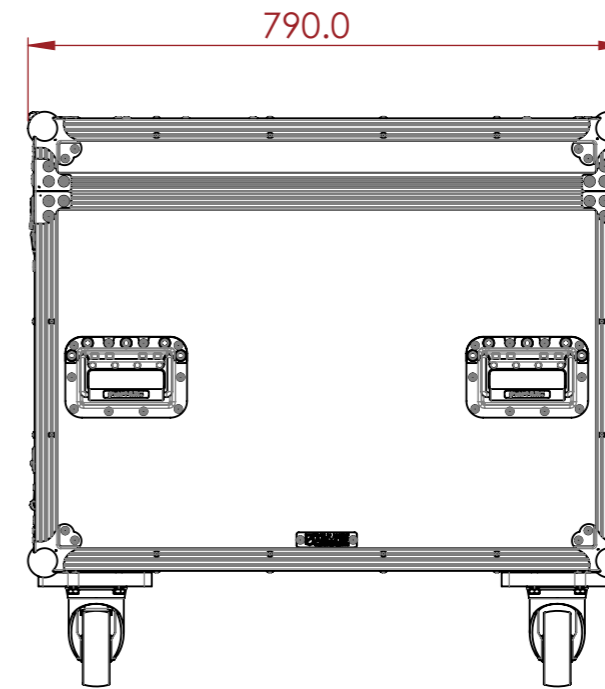
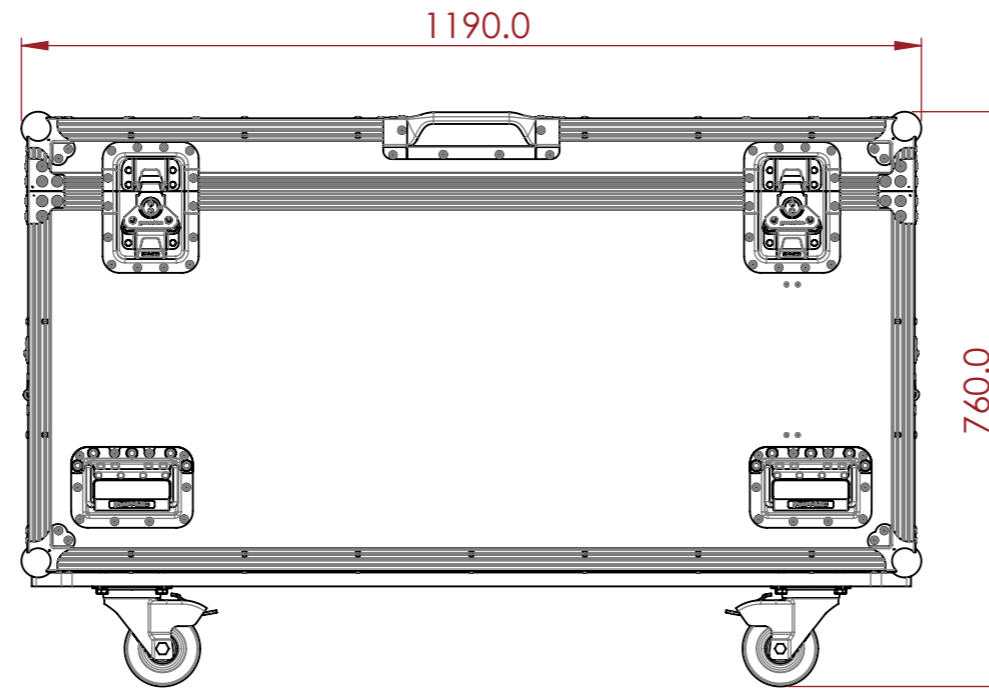
- 9MM BIRCH VENEER PLYWOOD WITH HPL EXTERIOR FACE AND PVC INTERIOR FACE
- PENN ELCOM HARDWARE

FEATURES

- STORAGE SPACE FOR 8X COLORSOURCE FRESNEL V LIGHTS
- EXTRA STORAGE SPACE FOR ACCESSORIES
- CASTOR DISHES FOR EASE OF STACKING
- LABEL DISH FOR EASE OF RECOGNITION
- 1X CORNER HANDLE
- 8X RECESSED HANDLES
- 2X BRAKED CASTORS
- 2X NON BRAKED CASTORS

DESIGN SPECIFICATIONS

- TRUCK FRIENDLY DIMENTIONS
- STORAGE POCKET AT THE END WITH 150MM WIDTH



NOTES:
UNLESS SPECIFIED IN THE DRAWING,
ALL PRODUCTS DISPLAYED IN THIS
DRAWING OTHER THAN THE CASE
ITSELF IS NOT PART OF OUR PRODUCT
OFFERING.

ESTIMATED WEIGHT (CASE ONLY):

64.6 KG

ITEM CODE:

LXPF-ETC-CSFV8

DRAWN BY:

K.I

CHECKED BY:

AS

SCALE:

NTS



MAIL : sales@armorcases.com.au
WEB : www.armorcases.com.au