

PRODUCT FEATURES

CONSTRUCTION

- 9MM BIRCH VENEER PLYWOOD WITH HPL EXTERIOR FACE AND PVC INTERIOR FACE
- PENN ELCOM HARDWARE

INSTALLED EQUIPMENT (INCLUDED)

- NONE

FEATURES

- NOT APPLICABLE

KEY MEASUREMENTS

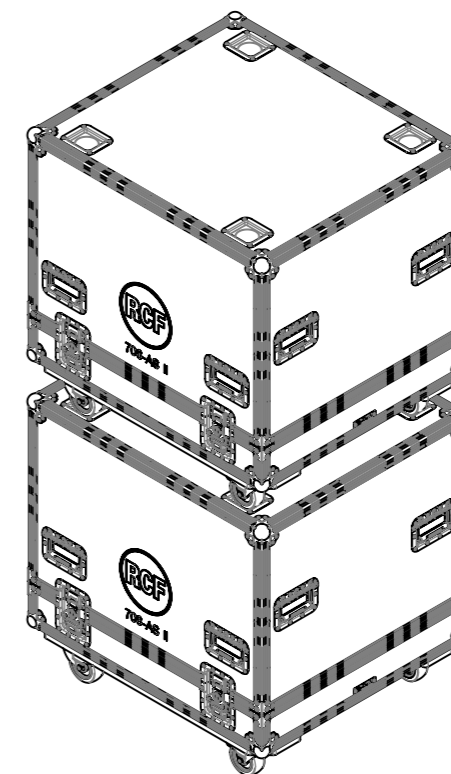
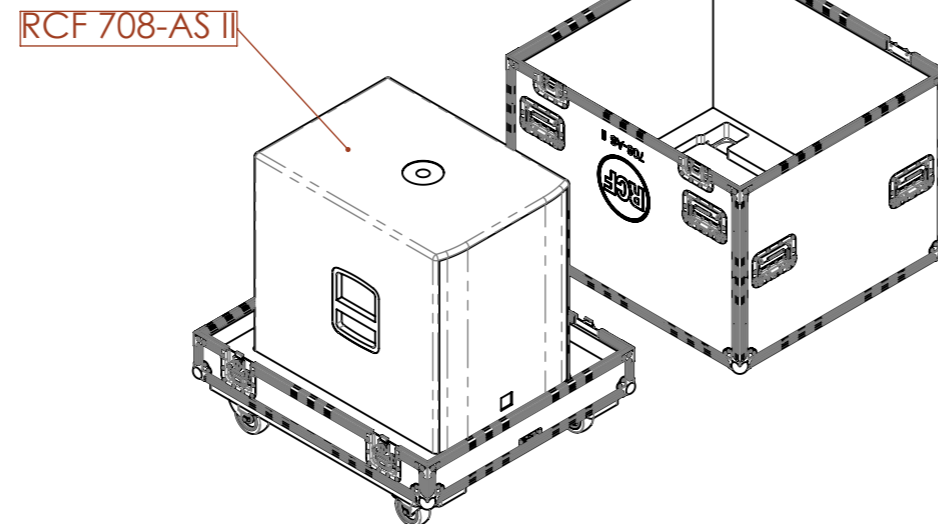
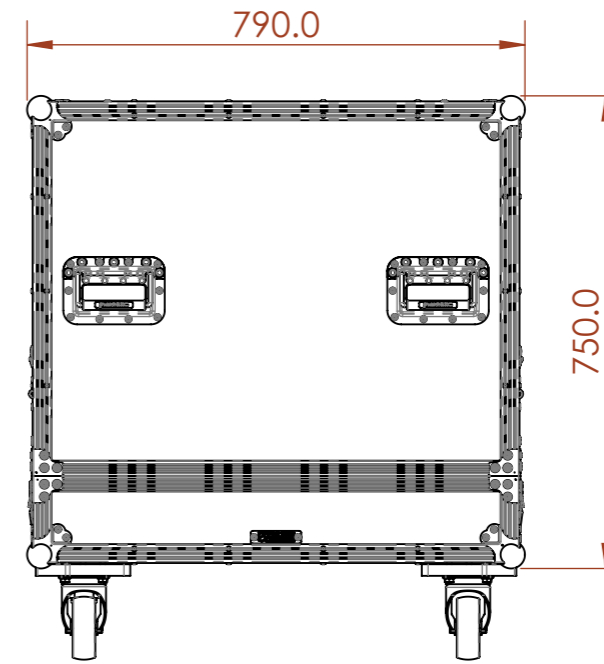
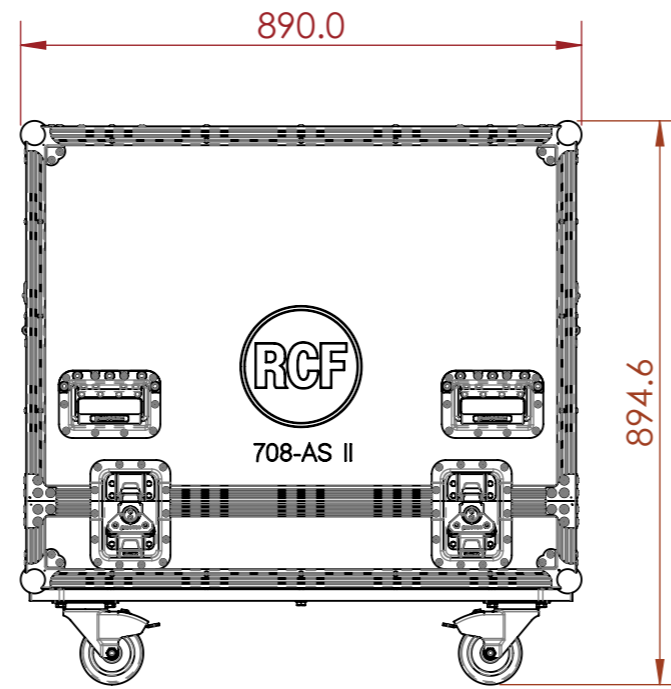
- MAXIMUM HEIGHT OF SPEAKERS IN BASE 850mm

DESIGN SPECIFICATIONS

- DEDICATED SPACE FOR 1X RCF 708-AS II SPEAKERS

NOTES:

UNLESS SPECIFIED IN THE DRAWING, ALL PRODUCTS DISPLAYED IN THIS DRAWING OTHER THAN THE CASE ITSELF IS NOT PART OF OUR PRODUCT OFFERING.



ESTIMATED WEIGHT (CASE ONLY):

46.0 KG

ITEM CODE:

SPK-RCF-708ASII

DRAWN BY:

HA

CHECKED BY:

AS

SCALE:

NTS



MAIL : sales@armorcases.com.au
 WEB : www.armorcases.com.au