

PRODUCT FEATURES

CONSTRUCTION

- 7MM LIGHT WEIGHT POLYPROPYLENE FLIGHT PANEL
- PENN ELCOM HARDWARE

INSTALLED EQUIPMENT (INCLUDED)

- NOT APPLICABLE

FEATURES

- NONE

KEY MEASUREMENTS

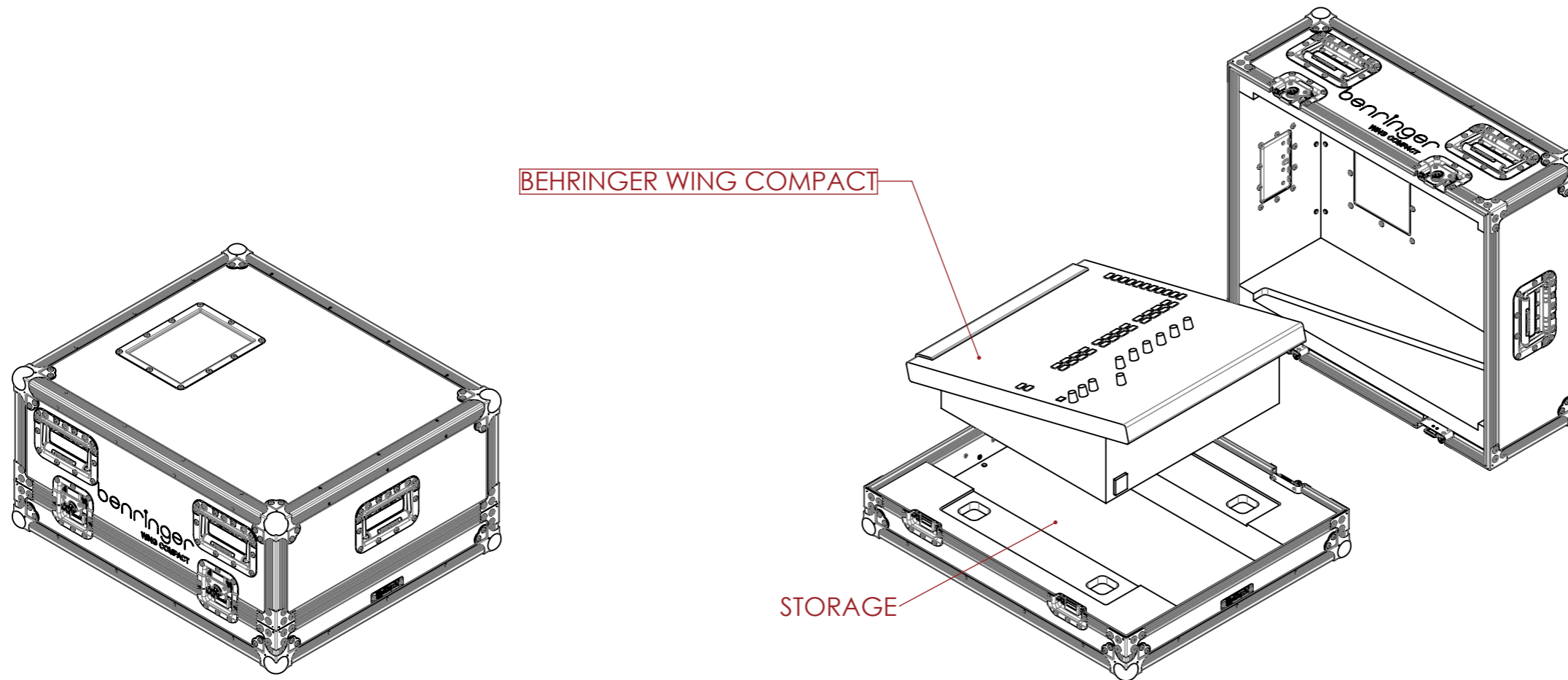
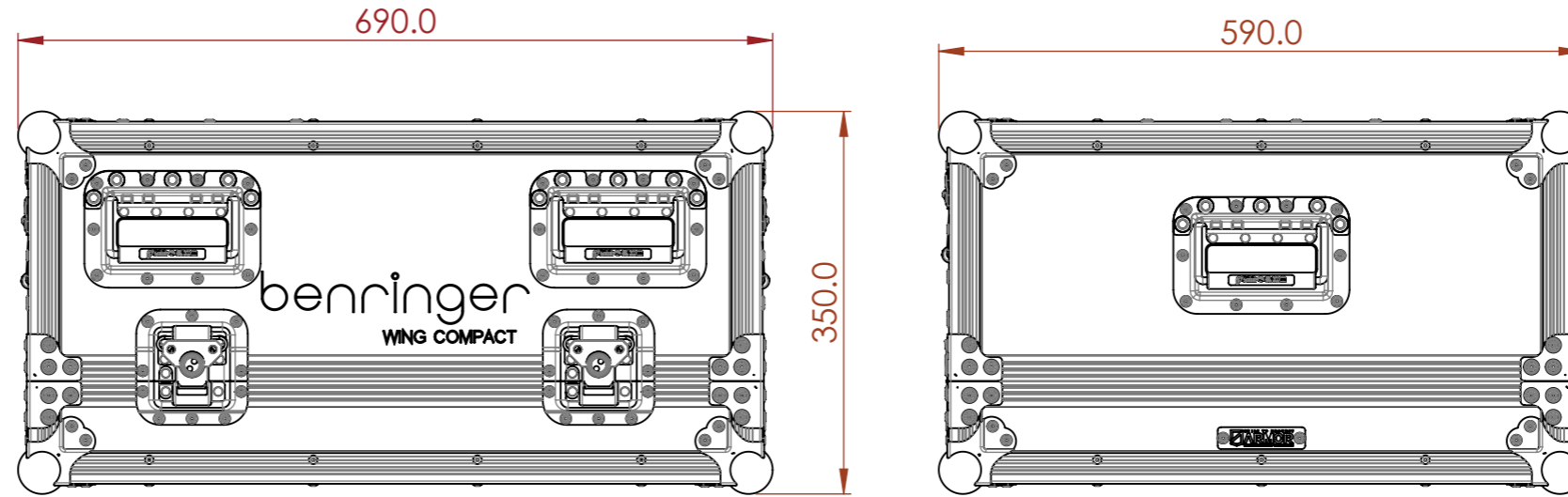
- NOT APPLICABLE

DESIGN SPECIFICATIONS

- GENERAL STORAGE UNDER THE MIXER FOR CABLES.

NOTES:

UNLESS SPECIFIED IN THE DRAWING, ALL PRODUCTS DISPLAYED IN THIS DRAWING OTHER THAN THE CASE ITSELF IS NOT PART OF OUR PRODUCT OFFERING.



ESTIMATED WEIGHT (CASE ONLY):

11.43 KG

ITEM CODE:

MIXR-BEH-WING-C-F7

DRAWN BY:

HA

CHECKED BY:

AS

SCALE:

NTS



MAIL : sales@armorcases.com.au
 WEB : www.armorcases.com.au