

PRODUCT FEATURES

CONSTRUCTION

- 9MM BIRCH VENEER PLYWOOD WITH HPL EXTERIOR FACE AND PVC INTERIOR FACE
- PENN ELCOM HARDWARE

INSTALLED EQUIPMENT (INCLUDED)

- 1X S9 10RU ASSEMBLY

FEATURES

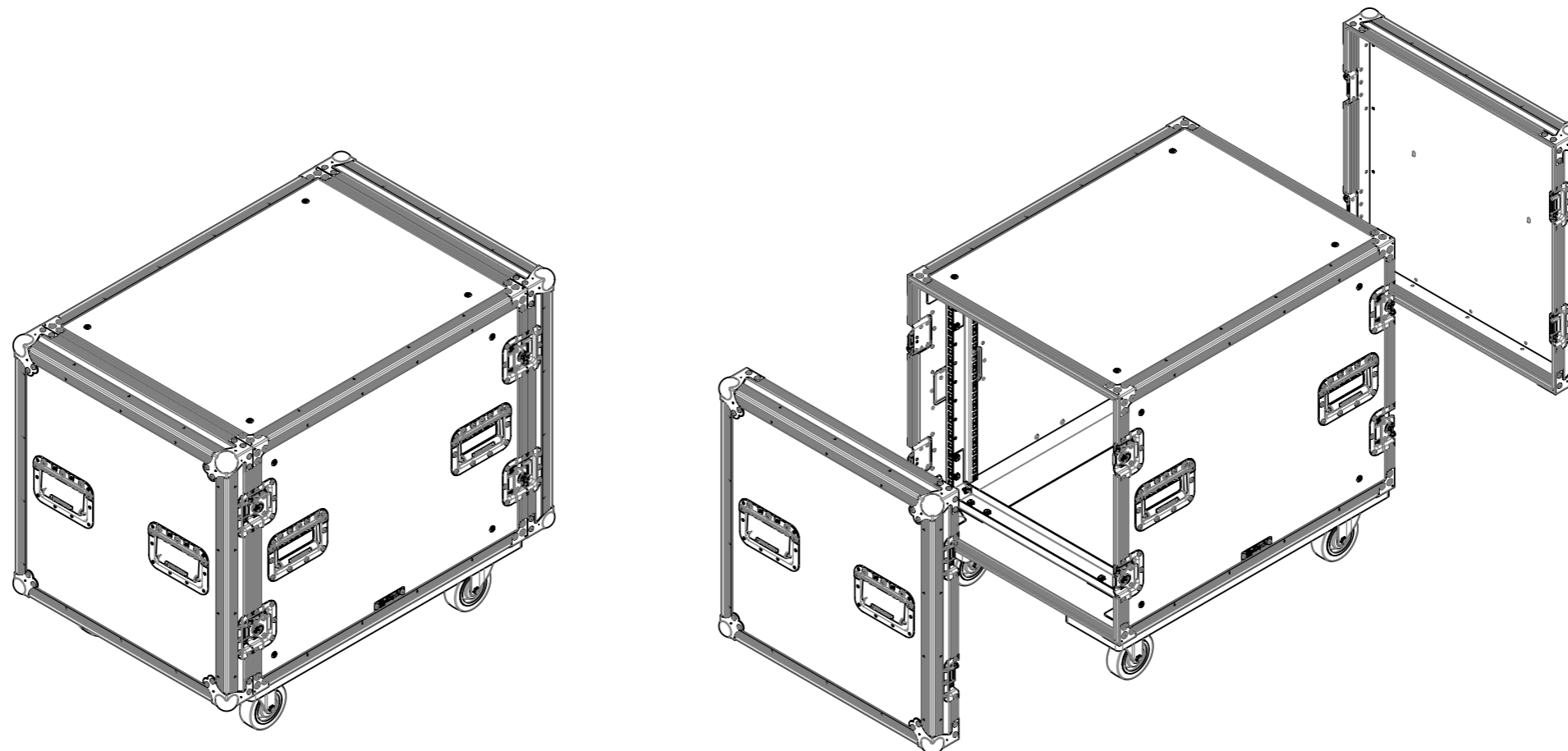
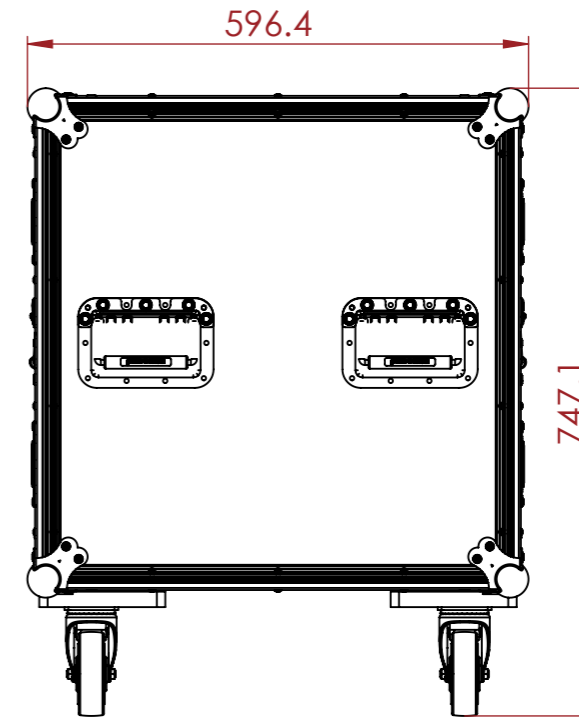
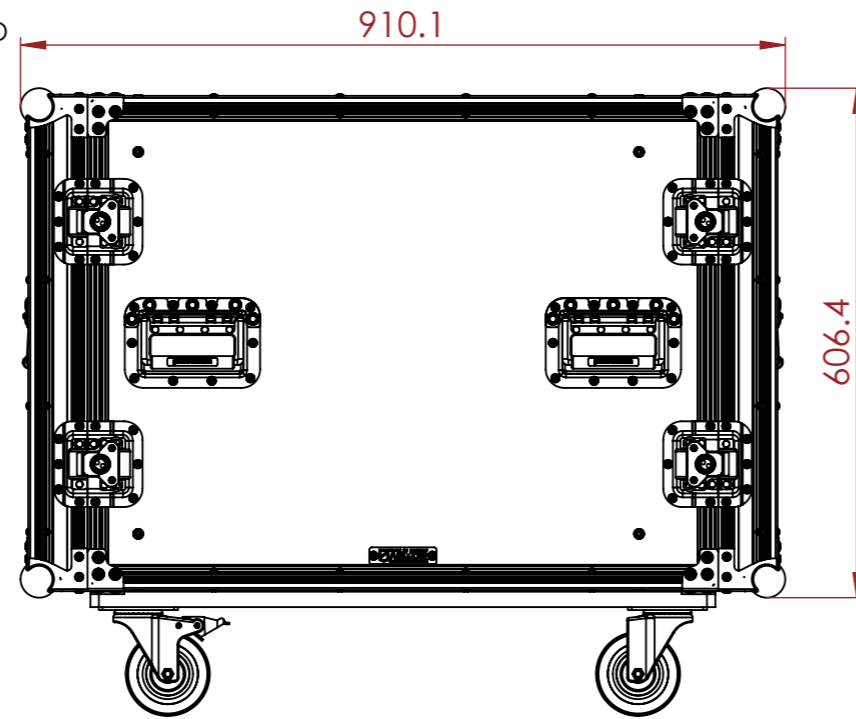
- 2 LIDS ON FRONT AND BACK

KEY MEASUREMENTS

- FRONT TO BACK RACK STRIP DISTANCE IS 600MM

DESIGN SPECIFICATIONS

- NOT APPLICABLE



NOTES:

UNLESS SPECIFIED IN THE DRAWING, ALL PRODUCTS DISPLAYED IN THIS DRAWING OTHER THAN THE CASE ITSELF IS NOT PART OF OUR PRODUCT OFFERING.

ESTIMATED WEIGHT (CASE ONLY):

39.88 KG

ITEM CODE:

RK-S9-10U-600

DRAWN BY:

HA

CHECKED BY:

AS

SCALE:

NTS



MAIL : sales@armorcases.com.au
WEB : www.armorcases.com.au