

## PRODUCT FEATURES

### CONSTRUCTION

- 12MM BIRCH VENEER PLYWOOD WITH HPL EXTERIOR FACE AND PVC INTERIOR FACE
- ARMOR HARDWARE

### INSTALLED EQUIPMENT (INCLUDED)

- 16RU RACK STRIPS LOCATED AT FRONT AND BACK
- 1X POWERBOARD
- 1X PATCH PANEL FOR UP TO 8X TYPE-D CONNECTORS (CONNECTORS NOT INCLUDED)

### FEATURES

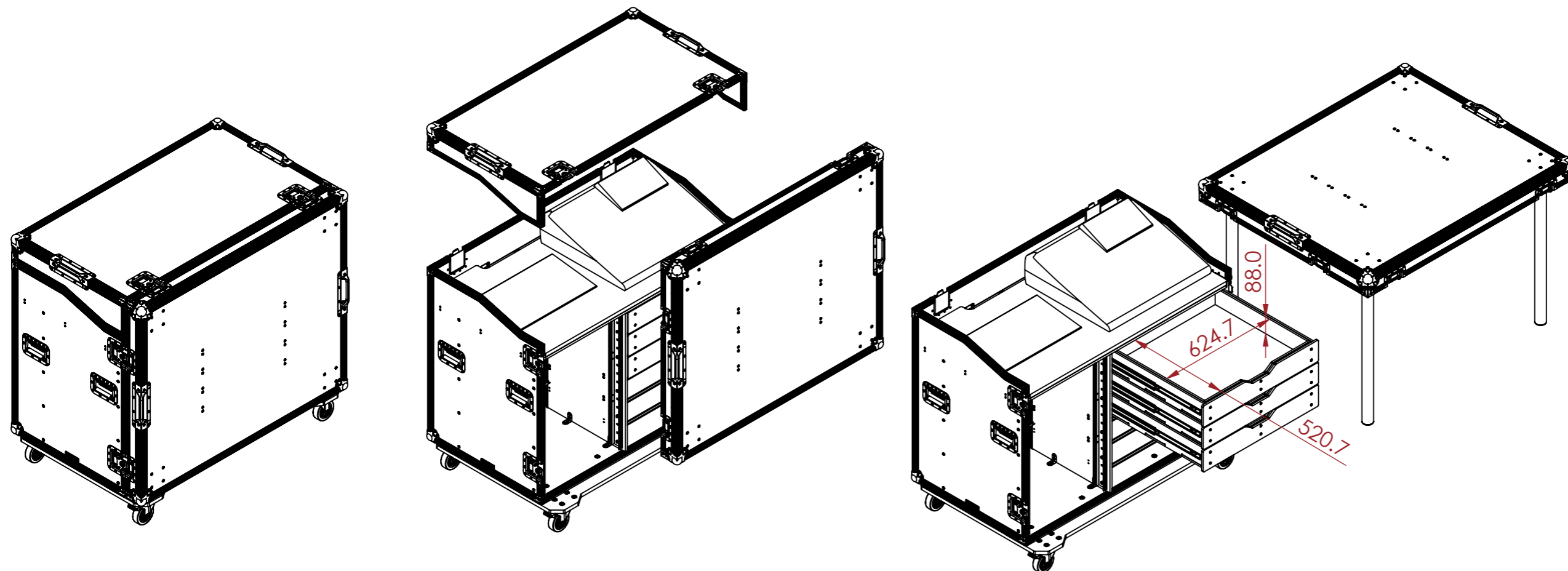
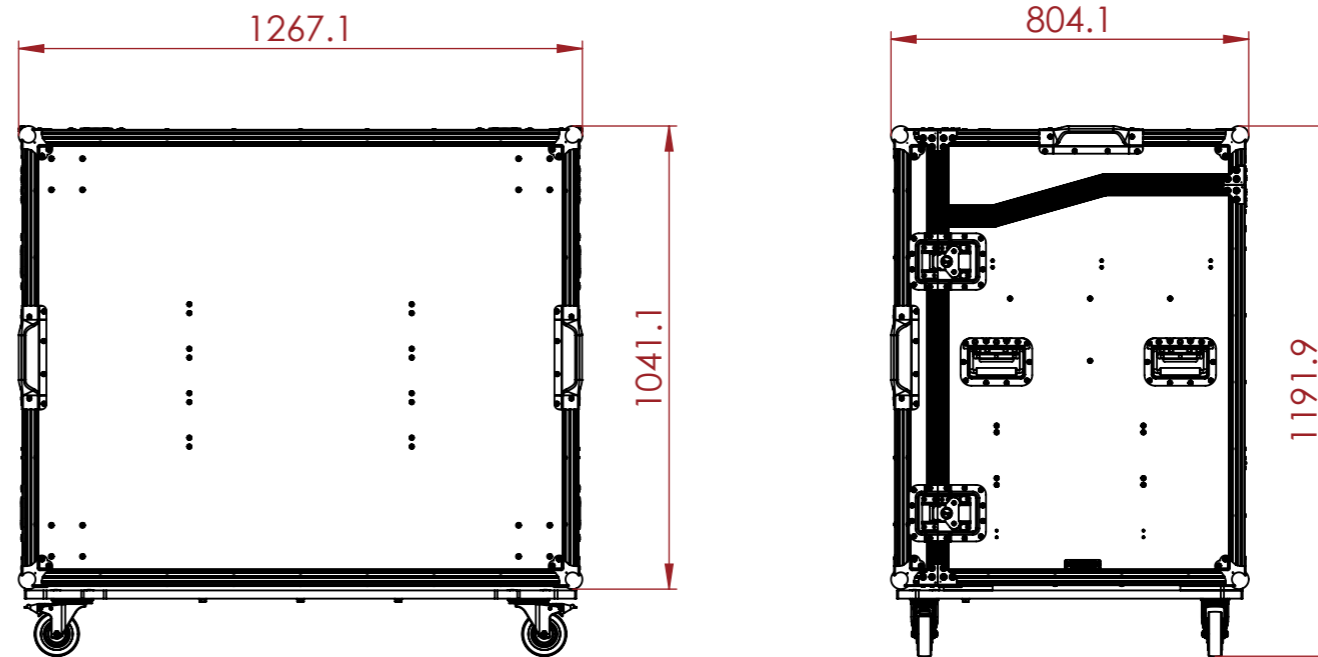
- FRONT LID CAN ACT AS TABLE FOR TRADITIONAL WORKSPACE
- SLAM LID AND HATCH DOOR LOCATED AT BACK

### KEY MEASUREMENTS

- FOLDABLE TABLE TOP HEIGHT 860MM
- DRAWER STORAGE DIMENSIONS AS NOTED ON DRAWING
- SHELVES STORAGE 650W X 705D X 95H (IN MILLIMETERS)

### DESIGN SPECIFICATIONS

- BOTH CONSOLES TO FIT SIDE BY SIDE ON THE WORKSTATION
- 3X DRAWERS
- 3X SHELVES
- CONSOLES ARE CLEAR FROM THE LID UNDERSIDE, NOT CONSTRAINED BY IT



#### NOTES:

UNLESS SPECIFIED IN THE DRAWING, ALL PRODUCTS DISPLAYED IN THIS DRAWING OTHER THAN THE CASE ITSELF IS NOT PART OF OUR PRODUCT OFFERING.

ESTIMATED WEIGHT (CASE ONLY):

151.19 KG

ITEM CODE:

WS-BX32C-ECS20

DRAWN BY:

H.A

CHECKED BY:

AS

SCALE:

NTS



MAIL : [sales@armorcases.com.au](mailto:sales@armorcases.com.au)

WEB : [www.armorcases.com.au](http://www.armorcases.com.au)