

PRODUCT FEATURES

CONSTRUCTION

- 9MM BIRCH VENEER PLYWOOD WITH HPL EXTERIOR FACE AND PVC INTERIOR FACE
- PENN ELCOM HARDWARE

INSTALLED EQUIPMENT (INCLUDED)

- 6X LARGE RECESSED HANDLES
- 4X LARGE LATCHES
- 4X STEEL CASTOR DISHES
- 1X MEDIUM LABEL DISH
- 4X 100mm CASTORS 2X BRAKED

FEATURES

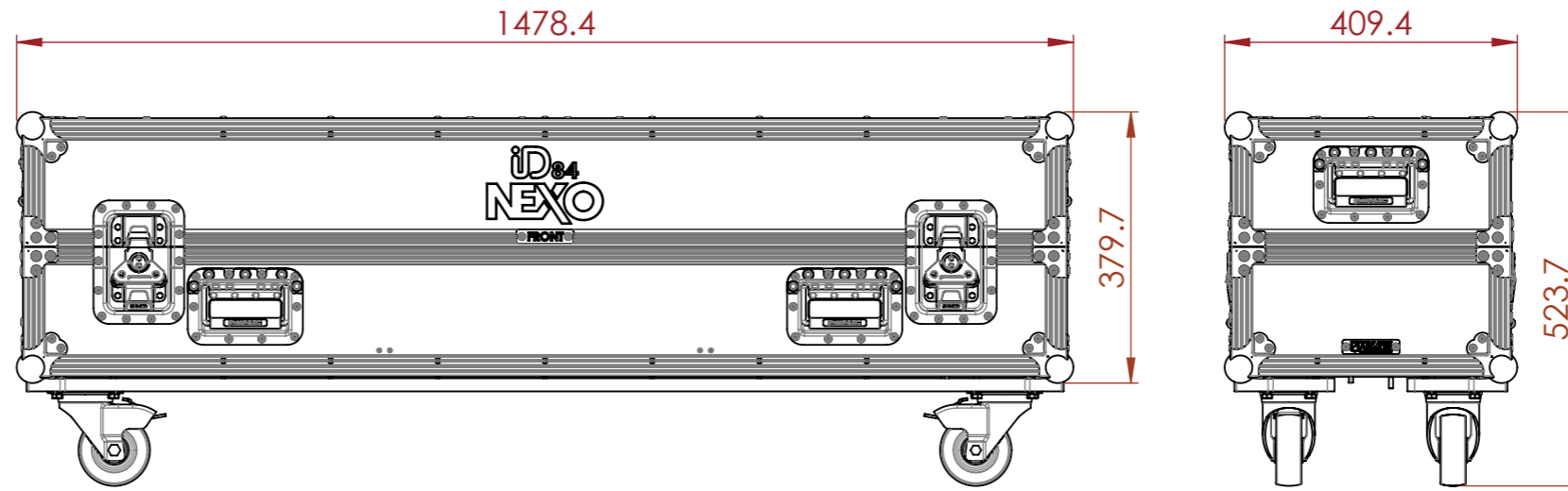
- NOT APPLICABLE

KEY MEASUREMENTS

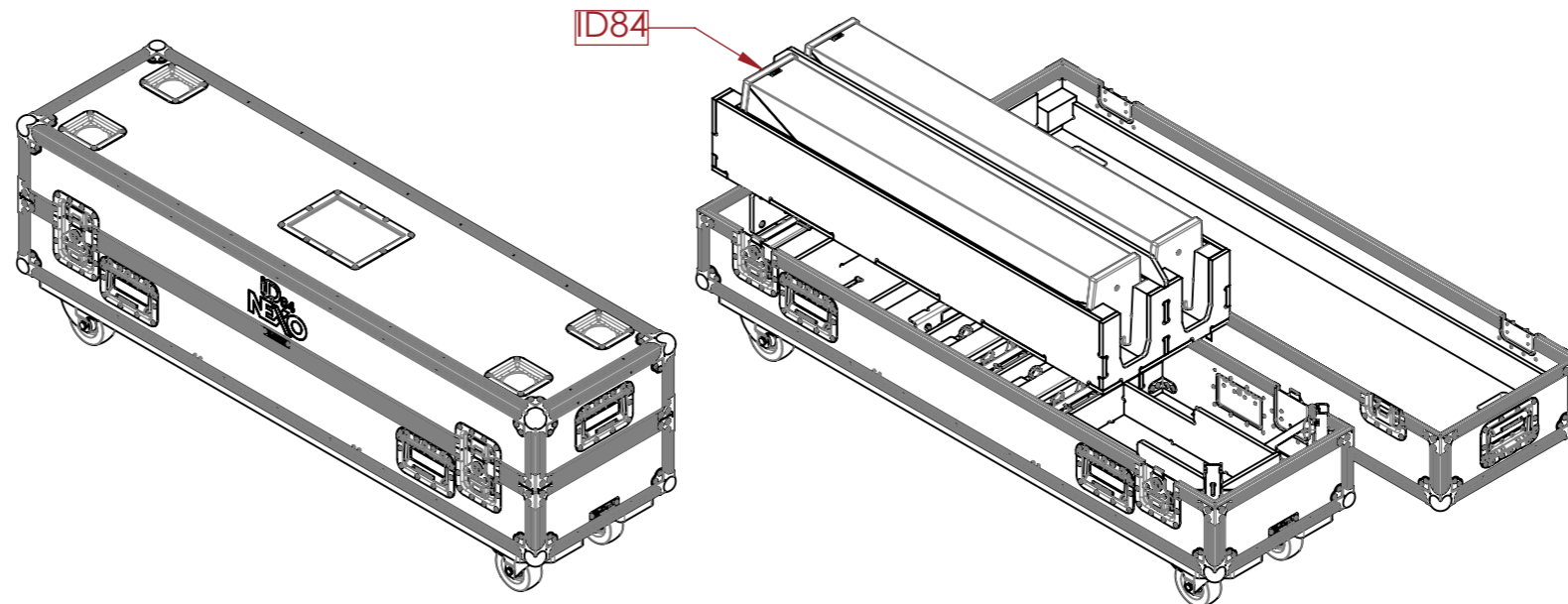
- NONE

DESIGN SPECIFICATIONS

- LIFT-UP TRAY FOR STORING SPEAKERS



NOTES:
UNLESS SPECIFIED IN THE DRAWING,
ALL PRODUCTS DISPLAYED IN THIS
DRAWING OTHER THAN THE CASE
ITSELF IS NOT PART OF OUR PRODUCT
OFFERING.



ESTIMATED WEIGHT (CASE ONLY):

47.2 KG

ITEM CODE:

SPK-NEXO-ID84

DRAWN BY:

HA

CHECKED BY:

AS

SCALE:

NTS



MAIL : sales@armorcases.com.au
WEB : www.armorcases.com.au