

PRODUCT FEATURES

CONSTRUCTION

- 12MM BIRCH VENEER PLYWOOD WITH HPL EXTERIOR FACE AND PVC INTERIOR FACE
- PENN ELCOM HARDWARE

INSTALLED EQUIPMENT (INCLUDED)

- 3X 12U RACK STRIPS LOCATED BELOW THE FOLD-OUT DESK
- 2X 7U RACK STRIPS LOCATED ABOVE THE FOLD-OUT DESK
- 1X 10U RACK STRIPS AT THE BACK

INSTALLED EQUIPMENT (NOT INCLUDED)

- 1X ROSS VIDEO TOUCHDRIVE TD2S
- 1X TOUCHDRIVE MONITOR
- 1X LG 55INCH - OLED55C1PTB

FEATURES

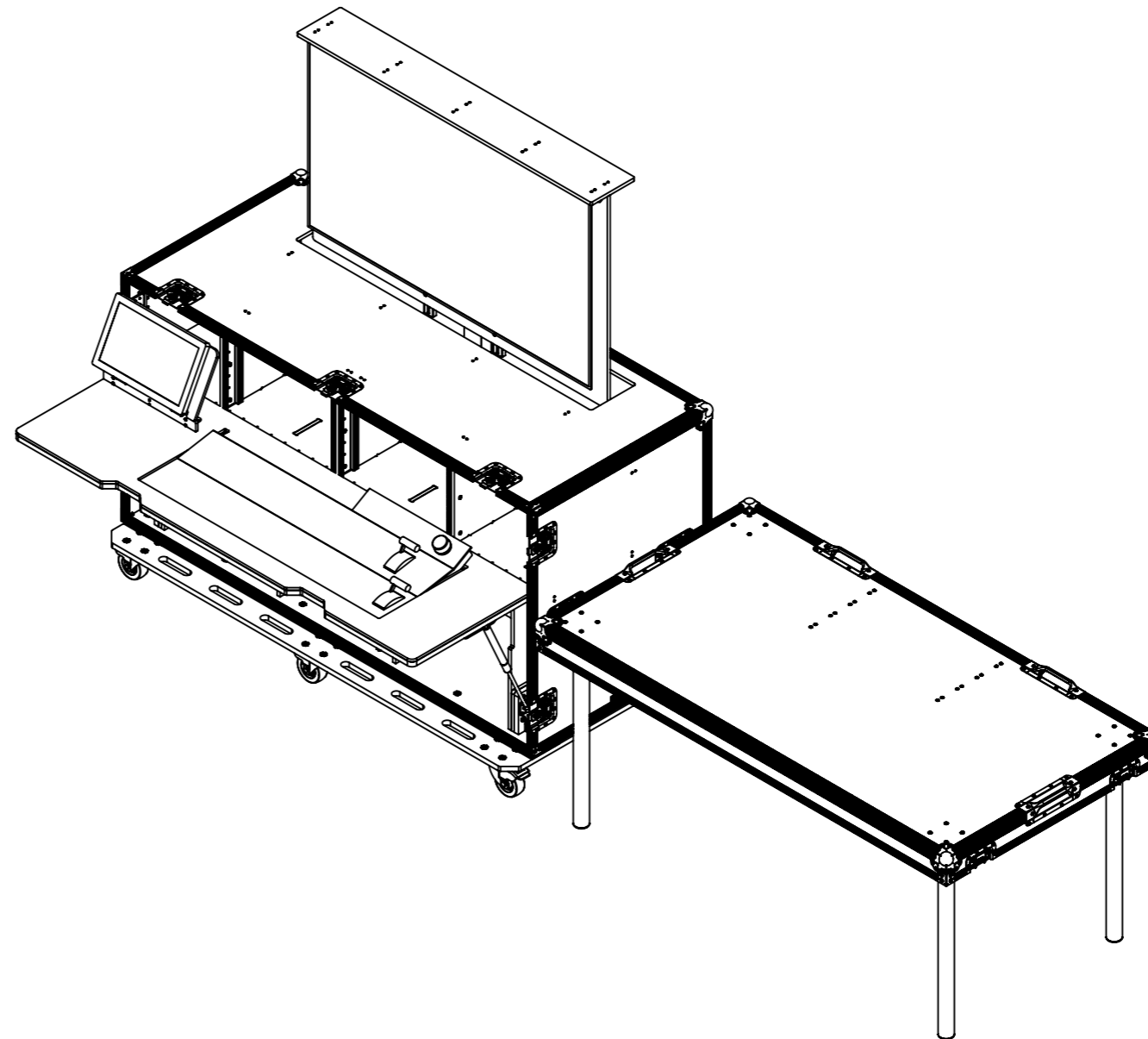
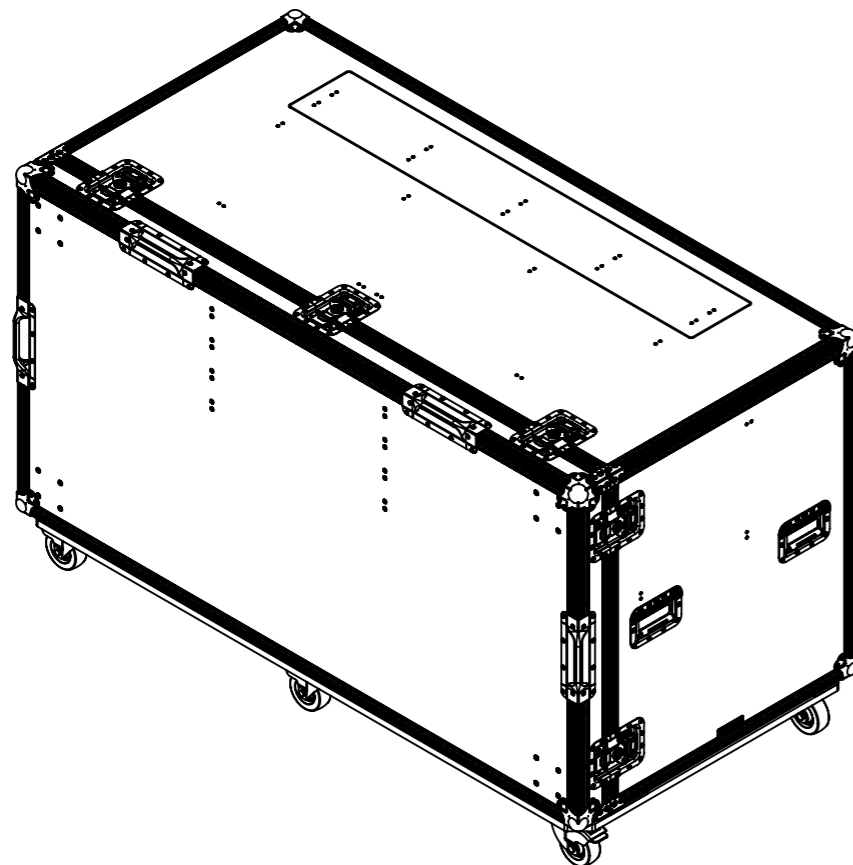
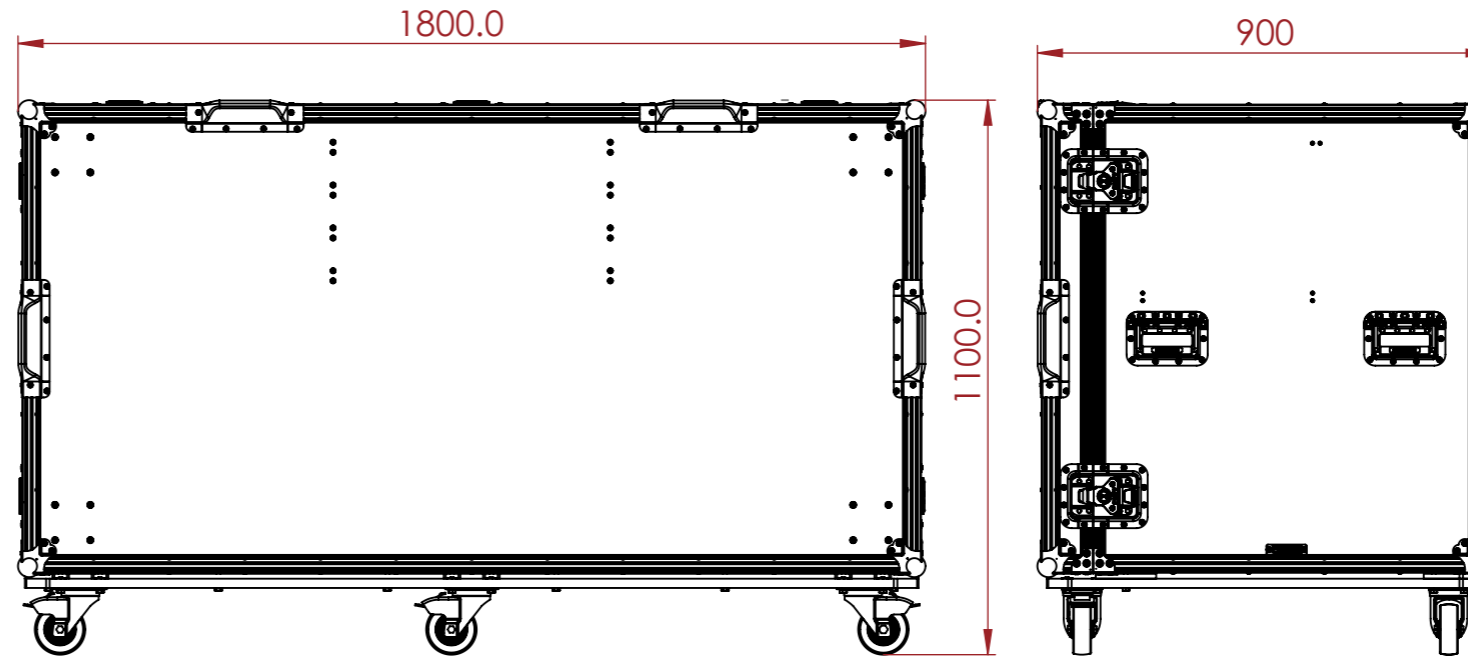
- FRONT LID CAN BE SETUP AS TABLE FOR ADDITIONAL WORKSPACE
- SLAM LID AND HATCH DOOR LOCATED AT THE BACK
- GAS STRUT SUPPORTED FOLD-OUT DESK
- MOTORIZED TV LIFT

KEY MEASUREMENTS

- PLATFORM HEIGHT AT 760MM
- FOLDABLE TABLE HEIGHT 760MM
- 12U RACK STRIPS DISTANCE TO BACK BOARD 350MM
- 7U RACK STRIPS DISTANCE TO BACK BOARD 418.3MM
- REAR RACK STRIPS TO REAR PANEL 50MM
- STORAGE BESIDE 7U RACK BAYS-368.6X326.4X418.3MM(WXDXH)
- MAXIMUM HEIGHT OF 55 INCH TV 1976.3MM

NOTES:

UNLESS SPECIFIED IN THE DRAWING, ALL PRODUCTS DISPLAYED IN THIS DRAWING OTHER THAN THE CASE ITSELF IS NOT PART OF OUR PRODUCT OFFERING.



ESTIMATED WEIGHT (CASE ONLY):

211.93KG

ITEM CODE:

WS-SC-RV-TD2S

DRAWN BY:

RP

CHECKED BY:

AS

SCALE:

NTS



MAIL : sales@armorcases.com.au
WEB : www.armorcases.com.au